

# USER'S GUIDE

## TABLE OF CONTENTS

Welcome.....	1
Safety Instructions .....	1
Loading .....	2-4
Before You Start.....	2
Upper Rack .....	2
Lower Rack.....	3
Removing the Upper Rack.....	4
Dishwashing Essentials.....	5
Hot Water .....	5
Detergent.....	5
Rinse Aid.....	5
Controls at a Glance.....	6
Cycles .....	6
Options .....	6
Indicator Lights .....	6
Operating Tips.....	7
Starting the Dishwasher .....	7
Adding a Forgotten Item .....	7
Special Care Items .....	8
Care & Cleaning .....	8
Interior/Exterior.....	8
Storage/Moving .....	8
Before You Call For Service .....	9-10
Warranty .....	11
Guide de Utilisateur .....	12
Guía del Usuario .....	24

*NOTE: In our continuing effort to improve the quality of our appliances, it may be necessary to make changes to the appliance without revising this guide.*

# Welcome .....

Congratulations on your choice of a Maytag Jetclean® dishwasher!

Before you use your new appliance, please read this guide carefully. You will find instructions on the proper operation and maintenance of your new dishwasher.

Please record the date of purchase, model, and serial number in the spaces provided below. Model and serial numbers can be found on the left side of the dishwasher tub.

Date of Purchase \_\_\_\_\_

Model Number \_\_\_\_\_

Serial Number \_\_\_\_\_


**IMPORTANT:** *Keep this guide and the sales receipt in a safe place for future reference. Proof of original purchase date is needed for warranty service.*

**⚠ WARNING:** *Check with the installer to make sure the appliance has been properly grounded to avoid possible electrical shock. Be sure you read the Important Personal Safety Instructions before you use this dishwasher.*

If you have questions, write us (include your model, serial number and phone number) or call:

Maytag Appliances Sales Company  
Attn: CAIR® Center  
P.O. Box 2370  
Cleveland, TN 37320-2370  
1-800-688-9900 USA  
1-800-688-2002 CANADA  
1-800-688-2080 USA TTY (for deaf, hearing impaired or speech impaired)  
(Mon.–Fri., 8am–8pm Eastern Time)  
<http://www.maytag.com>

## Important Safety Instructions .....

Products with a  label have been listed with Underwriter's Laboratories, Inc. – those with a CSA tag have been listed with Canadian Standards Association. Nevertheless, as with any other equipment using electricity and moving parts, there is a potential hazard.

**⚠ WARNING** – When using your dishwasher, follow basic precautions, including the following:

1. Read all instructions before using the dishwasher.
2. Use the dishwasher only for its intended function.
3. Disconnect electrical power to dishwasher before attempting to service.
4. To avoid electrical shock hazard, the sides and back must be enclosed and the front panels must be attached before electrical power is applied to the dishwasher. Refer to the installation instructions for proper grounding procedures.
5. Connect to a properly rated, protected and sized power supply circuit to avoid electrical overload.
6. Children should never be permitted to operate, or play in, with, or around this dishwasher.
7. To reduce the risk of injury when loading items to be washed, sharp or pointed items should be located with the handles up. Also, load sharp items so they are not likely to damage the door seal.
8. Do not touch the heating element on the bottom of the tub during or at the completion of a cycle. It will be hot.

9. Use only detergents and rinse additives designed for an automatic dishwasher. Never use soap, laundry detergent, or hand washing detergent in your dishwasher. Keep these products out of reach of children.
10. Do not sit, stand on or abuse the door or dish racks of the dishwasher.
11. Under certain conditions, hydrogen gas may be produced in a hot water system that has not been used for two weeks or more. **Hydrogen gas is explosive.** If the hot water system has not been used for such a period, turn on all hot water faucets and let the water flow from each for several minutes. This will release any accumulated hydrogen gas. As the gas is flammable, do not smoke or use an open flame during this process.
12. Do not wash plastic items unless marked “dishwasher safe” or the equivalent. For plastic items not so marked, check the manufacturer's recommendations.
13. Do not tamper with controls.
14. To prevent accidental child entrapment and suffocation risk, always remove the door to the washing compartment when removing an old dishwasher from service or discarding it.
15. Use caution when unloading the dishwasher. Dishes will be hot if unloaded shortly after a cycle has completed.

## Save These Instructions



# Loading

## Before You Start

- **Don't Prerinse.** Simply scrape off any bones or large food particles.
- If connected to a food waste disposer, **make certain the disposer is empty before starting the dishwasher.**
- Scrape off tomato-based food soils (see page 8).
- **Remove certain foods** (such as mustard, mayonnaise, lemon juice, vinegar, salt or dressings) **from stainless steel flatware as soon as possible.** These foods may cause rusting and pitting if allowed to remain in contact with the surface for an extended period of time.

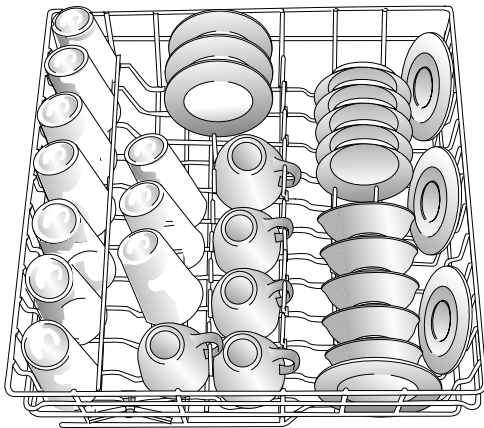
## General Recommendations

- Place all items in the racks so they are separated and facing center.
- Items can be centered behind a single tine or loaded at an angle to maximize space.
- Load items so they do not rest over the top of the wash tower.
- Avoid blocking the upper and lower spray arms by not allowing items to extend beyond the racks.

## Recommended Loading (Rack features vary by model)

For best dishwashing results follow these guidelines to determine the best arrangement for your items.

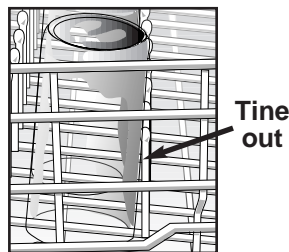
### Upper Rack



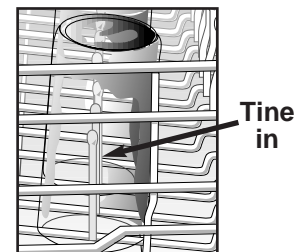
**10 Place Settings**

Glasses, cups, stemware, light-weight plastics, small plates, bowls, pans, long-handled utensils etc. can be loaded in this rack. **Do not load glasses over the tines.**

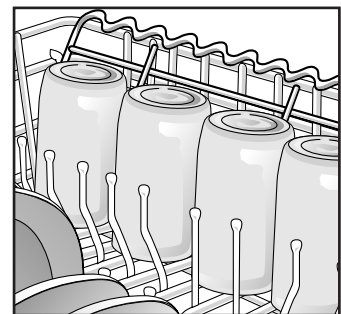
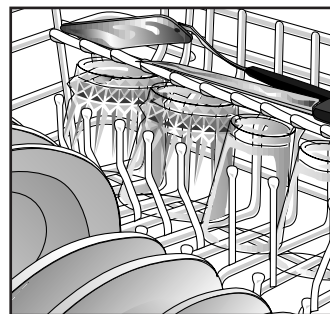
**Correct**



**Incorrect**



The Stack-Rack (select models) on the right side of the upper rack folds up or down. Fold it down to hold long-handled knives, spatulas and spoons or short items like cups or juice glasses. Fold it up for taller items like glasses, bowls, plates, etc.

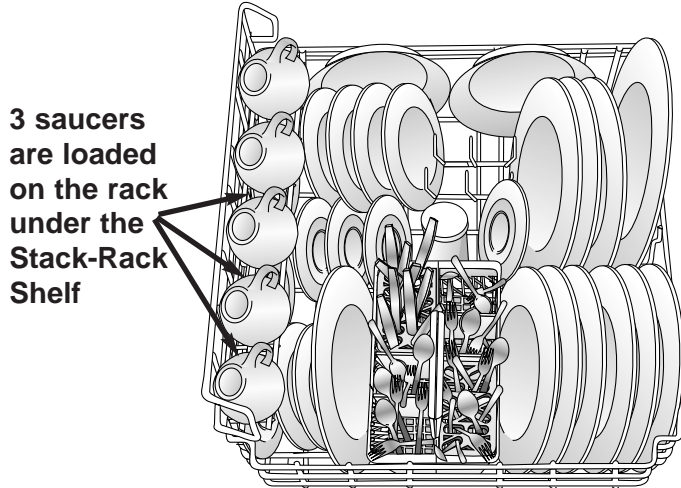




# Loading (continued)

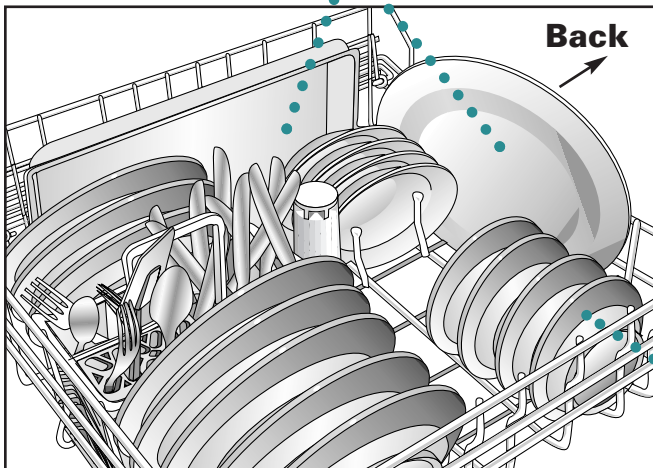
## Lower Rack

A variety of large items such as dinner plates, mixing bowls, pots and pans and baking dishes can be loaded in this rack.

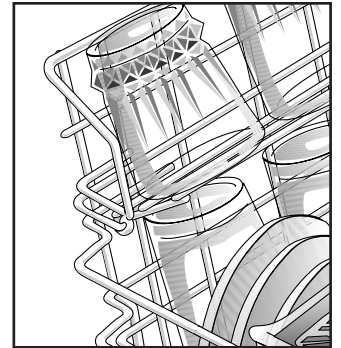
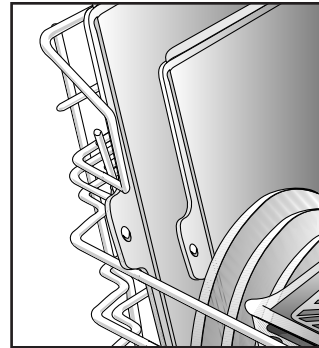


10 Place Settings

Tall items such as bakeware and large platters can be placed on the left side or across the back of this rack.

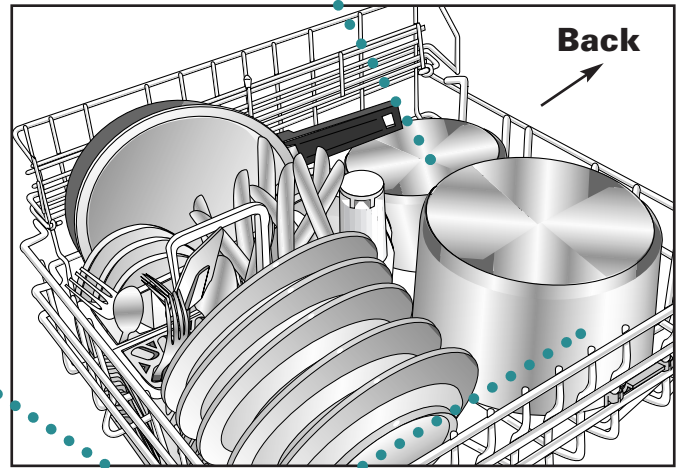


**Note:** Face soiled surfaces towards the center of the dishwasher.



With the Stack-Rack shelf (select models) raised, thin items like cookie sheets or pizza pans may be placed along the left side. With the shelf down, two levels of glasses and cups can be loaded.

Positioning the Fold-Away™ tines (select models) flat in the back, left corner provides convenient loading space for large, bulky items like pots and pans or mixing bowls.



Convertible tines in the back, right corner can be adjusted to provide narrow spacing for loading plates or wide spacing for loading deep bowls, pots or pans. Flip tines up for narrow spacing or down for wider spacing.

## Split & Fit™ Utensil Basket

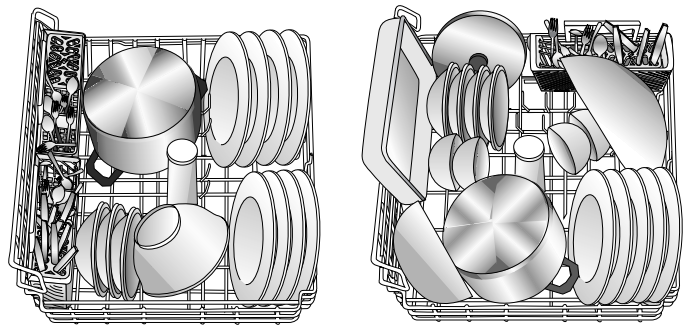
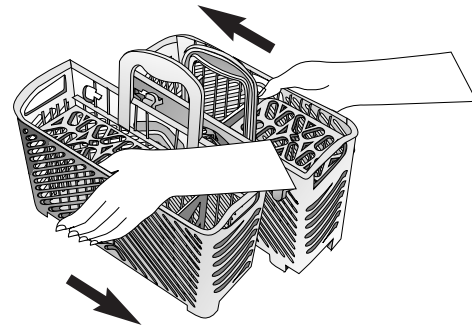
The split silverware basket can be separated and placed in several locations in the bottom rack. Hold the basket firmly along the sides. Follow the unlock direction arrows imprinted on the basket and slide the basket apart until it splits into two. Load flatware and utensils into both sections or just one, depending upon your load.

For best cleaning results, prevent items from nesting together by placing some items in the basket with handles up and some with handles down. Load knives, handles up, through the slots in the hinged covered section(s) (when closed).

Be sure that thin, finely pointed items do not extend through the basket. This could block the lower wash arm.

Small, lightweight items like baby spoons and plastic measuring spoons should be placed in the section(s) with the hinged cover(s).

Long-handled utensils such as spatulas and wooden spoons should be loaded in the sections farthest from the door.



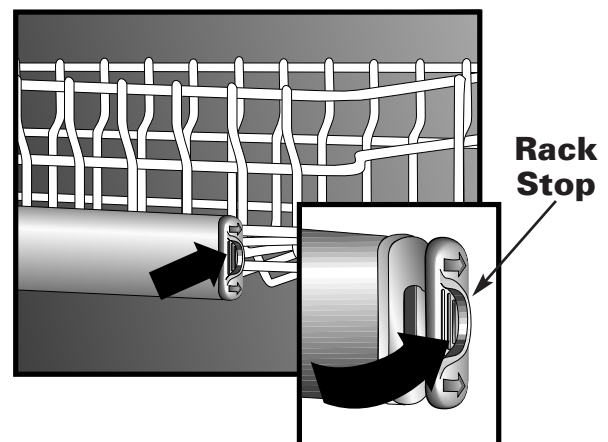
## Removing the Upper Rack

The upper rack can be removed when tall or oversized items need to be loaded into the lower rack.

**Note:** Avoid resting items over the center wash tower.

### To remove:

- Roll the upper rack 1/3 to 1/2 of the way out.
- Remove the plastic rack stop from the end of each track. To remove each plastic rack stop, push inward (towards the rack) on the ridged area of the rack stop. The rack stop will snap open and can be easily removed by pulling straight out. Take care to support the track while removing rack stops.
- Roll the rack all the way out of the track and remove from the dishwasher.
- Reverse the above procedure to replace the upper rack into the dishwasher.





# Dishwashing Essentials

## Hot Water

**For optimal cleaning and drying results, hot water is necessary. The incoming water temperature should be 120-140° F (49-60° C) to properly activate the detergent and melt greasy food soils.**

To check the incoming water temperature, turn on the hot water faucet nearest the dishwasher and let it run into a

glass in the sink. Place a candy thermometer in the glass and check the temperature once it has stopped rising. If the temperature is below 120° F (49° C), have a qualified person raise the water heater thermostat setting.

Before starting the dishwasher, turn on the hot water faucet and let it run until the water is hot. This assures that the initial fill of water is hot.

## Detergent

Use a detergent designed specifically for use in an automatic dishwasher. Be sure it is fresh and stored in a cool, dry place (not under the sink).

### Recommended Amount

Too little detergent results in poor cleaning, hard water filming/spotting and poor drying. Too much detergent can cause permanent etching/cloudiness.

For food soils requiring the **Heavy** or **Normal** cycles and/or hard water\* conditions, fill both sides of the Main Wash detergent cup. For food soils requiring the **Light** cycle and/or soft water\* conditions, fill the Light side of the detergent cup only.

Do not use detergent with **Rinse Only**. Leave the detergent lid open when running **Rinse Only**.

In extremely hard water conditions (15 grains per gallon or more\*), it is difficult to achieve good results with any dishwasher. A mechanical water softener may be necessary to improve water quality, detergent effectiveness, and protect the dishwasher parts from the damage that hard water can cause.

### Water Hardness\*

Soft (0-3 gpg) Medium (4-9 gpg) Hard (10-12 gpg)

\*Your local water utility or state university extension service can tell you the degree of water hardness in your area.

## Rinse Aid

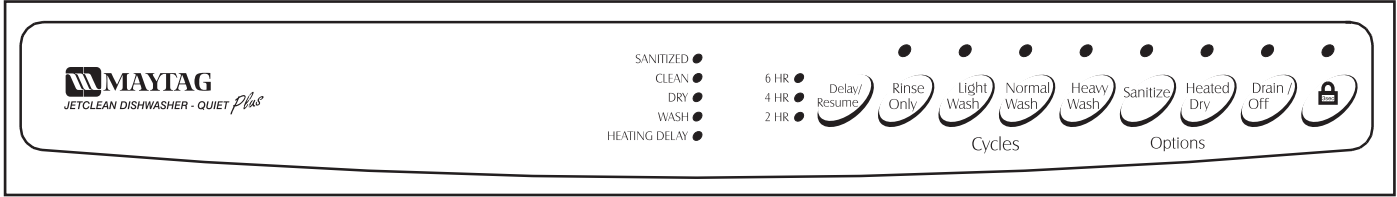
**Regular use of a rinse aid improves drying, reduces spotting and filming, and reduces moisture left on the dishwasher interior.**

An automatic rinse aid dispenser is located next to the detergent cups. The window next to the dispenser cap indicates when the rinse aid reservoir needs to be refilled. When the level of rinse aid is below the indicator marks and the window is nearly clear, it is time to refill the dispenser. **Check the dispenser monthly.**

To add rinse aid to the dispenser, turn the cap counter-clockwise to open. Remove the cap and pour liquid rinse aid into the opening. The amount of rinse aid dispensed during the cycle is adjustable by moving the lever inside the reservoir area. Use setting “1” for soft water. Adjust it up to the “MAX” setting for hard water. Set the lever anywhere between these amounts as needed. Replace the cap and turn it clockwise to close.



# Controls at a Glance.....



Control panel style may vary by model.

## Cycles

CYCLE	SEQUENCE	WATER USAGE
<b>Heavy Wash</b> is for heavily soiled dish loads.	Prewash Prerinse Main Wash Prerinse Hi-Temp Rinse Dry	9.8 Gal.
<b>Normal Wash</b> is for loads containing dishes with normal amounts of food soils.	Prewash Main Wash Prerinse Hi-Temp Rinse Dry	7.8 Gal.
<b>Light Wash</b> is for washing lightly soiled loads.	Main Wash Prerinse Hi-Temp Rinse Dry	5.8 Gal.
<b>Rinse Only</b> is for rinsing dishes being held until the dishwasher is full. This helps reduce the potential for odors.	Rinse	1.9 Gal.

## Options

Select **Sanitize** to clean and sanitize dishware with any of the cycle choices (except **Rinse Only**).

Because this option adds heat and water temperature checks to the main wash and final rinse, it can also be selected to enhance washing and drying results for all load types.

Select **Heated Dry** to turn on the heating element during dry for enhanced drying results. When **Heated Dry** is not selected, towel drying of some items may be necessary and more moisture may be noticed adhering to the dishwasher interior. With either dry option, it is normal to notice vapor escaping from the door vent.

To drain the dishwasher and then turn it off, press the **Drain/Off** once. Press **Drain/Off** twice to turn the dishwasher off without draining.

## Indicator Lights

The **SANITIZED** light illuminates at the end of the **Light, Normal or Heavy Wash** cycle when the **Sanitize** option has been selected and conditions have been met to achieve sanitization.

**Note:** When **Sanitize** is selected, cycles are monitored to assure sanitization. Unusually low water temperature will prevent the sanitization protocol from being satisfied. The **SANITIZED** light will not illuminate at the end of the cycle.

The **CLEAN** light is illuminated at the end of the cycle and remains lit until the door has been open for 30 seconds continuously.

The **DRY** light is illuminated during the entire dry period and goes out when the cycle is completed.

The **WASH** light is illuminated during all rinse and wash portions of the cycle

The **HEATING DELAY** light illuminates when the cycle is being extended to heat the water to proper temperature.

## Delay/Resume

The **Delay/Resume** option can be used to automatically start the cycle at a later time, such as during off-peak hours for reduced energy cost or to reduce daytime heat buildup in the home.

### To Set Up a Delay:

- 1 Select the appropriate cycle and options for the load.
- 2 Press the **Delay/Resume** pad until the desired amount of delay time (2, 4 or 6 hours) is selected. The delay time will begin counting down when the pad is released.
- 3 The **DELAY HOURS** indicator light will remain lit until the delay time has counted down.
- 4 The cycle will automatically start as soon as the delay time expires.

**Note:** If **Delay/Resume** is chosen without selecting a cycle and/or options, the dishwasher will select the last cycle used. (It will not remember **Rinse Only**.)

### To Cancel a Delay:

Wait at least 2 seconds, then press the **Delay/Resume** pad again. The indicator light will go out and the cycle will start or resume immediately.



# Controls at a Glance (continued) .....

## Control Lock Option

The control touchpads can be locked to prevent unwanted use. If this feature is activated between cycles, the dishwasher cannot be operated until the controls are unlocked. If desired, the controls can be locked after a cycle or delay has started.

**Note:** This option does not lock the door, only the dishwasher controls.

## Setting the Control Lock:

- 1 Press the pad for three seconds.
- 2 An indicator light above the pad will illuminate when the controls are locked.

## To Cancel:

- 1 Press the pad for three seconds.
- 2 The indicator light will go off.

**Note:** If a cycle or option pad is pressed after the controls have been locked, the indicator light above the **Control Lock** pad will flash five times.



# Operating Tips .....

## Starting The Dishwasher

- 1 After loading the dishwasher and adding detergent, close the dishwasher by pressing the door until the latch clicks.
- 2 To start the dishwasher, firmly press the desired cycle and options pads. After a pause, the fill will begin. To prevent unplanned cycle or option changes, these selections are “locked in” after 1 minute.
- 3 The indicator lights for the selected cycle and options will glow.
- 4 To cancel an option, press the pad again. To cancel a cycle, press the **Drain/Off** pad.

**Note:** If a cycle or option pad is pressed after the selections are “locked in”, the indicator light above the **Control Lock** pad will flash five times.

## Adding a Forgotten Item

For best cleaning, the forgotten item should be added early in the cycle.

- 1 Press the **Delay/Resume** pad or unlatch the door.
- 2 Wait for the water circulation to stop.
- 3 Open the door and add the item.
- 4 Close and latch the door.
  - If **Delay/Resume** was pushed, push it again to restart the dishwasher.
- 5 After five seconds, the cycle resumes automatically at the point of interruption.

**Note:** Extended interruption of the wash cycle is not recommended.





## Special Care Items

Most tableware, cookware and flatware can safely be washed in your dishwasher. If you have any doubts about an item, check with the manufacturer.

Material	Dishwasher Safe?	Special Information
Aluminum	Yes, except anodized.	High water temperature and detergents may affect finish.
Cast Iron	No	Seasoning will be removed, and iron will rust.
China/ Stoneware	No, if antique or hand-painted.	Always check manufacturer's recommendation before washing. Antique, hand-painted or over-the-glaze patterns may fade. Gold leaf may discolor.
Crystal	No, if antique or delicate crystal.	Always check manufacturer's recommendation before washing. Some types of leaded crystal may etch with repeated washings.
Furnace Filters	Not recommended.	May leave a dingy deposit or stain on dishwasher interior.
Glass	Yes	Milkglass can yellow with repeated dishwasher washing.
Gold-Plated Flatware	No	Will discolor.
Pewter, Tin	No	
Plastics	Yes, top rack.	Always check manufacturer's recommendation before washing. Plastics vary in their capacity to withstand high water temperatures and detergents. Disposable plastic items are not dishwasher safe for this reason.
Stainless Steel	Yes	Run a Rinse Only cycle if not washing immediately. Prolonged contact with foods containing salt, vinegar, milk products or juice could damage finish.
Sterling Silver or Silverplate	No, if has commercial "darkening".	Always check manufacturer's recommendation before washing. Run a Rinse Only cycle if not washing immediately. Prolonged contact with food containing salt, acid or sulfide (eggs, mayonnaise and seafood) could damage finish. Commercial "darkening" may be removed by detergent.
Wooden Items	No	Wood may warp, crack or discolor.



## Care and Cleaning

### Interior

The dishwasher interior is normally self-cleaning. Periodically check the bottom of the dishwasher tub to see if any large particles have not gone through the strainer portion of the module.

Wipe the edge of the inner door liner to remove any food soil splashes which occurred during loading.

The color from some tomato-based food soils may occasionally adhere to various components of the dishwasher interior, causing temporary discoloration. To minimize this:

- Scrape excess tomato-based food soils off of dishes, prior to loading. Do not prewash the dishes, however.
- Run the **Heavy Wash** cycle when washing loads containing tomato-based food soils.

### Exterior

The front of the dishwasher can be cleaned with a soft, damp cloth and liquid spray cleaner. Do not use abrasive powders or cleaning pads.

### Stainless Steel Care and Cleaning (select models)

*Do not* use a cleaning product containing chlorine bleach. *Always* wipe *with* the grain of the stainless steel. *For daily cleaning and light soil*, use a soft cloth or sponge and one of the following: mild detergent and water, a solution of

white vinegar and water, Formula 409 Glass and Surface Cleaner\* or a similar multi-surface cleaner. Rinse and dry. To polish and to help prevent fingerprints, follow with Stainless Steel Magic Spray\* (part no. 20000008)\*\*.

*For moderate to heavy soil*, clean with Bon Ami\*, using a soft cloth or damp sponge. Rinse and dry. To restore luster and to remove streaks, follow with Stainless Steel Magic Spray\*.

*For discoloration*, wipe with Cameo Stainless Steel Cleaner\*, using a damp sponge or soft cloth. Rinse immediately and dry. To restore luster and to remove streaks, follow with Stainless Steel Magic Spray\*.

\*Brand names are the trademarks of the respective manufacturer.

\*\* Call 1-800-688-8408 to order.

### Storage/Moving

Fill detergent cup with a fresh-scented dishwasher detergent or baking soda and select the **Normal Wash** cycle. Allow the dishwasher to complete the cycle. Then turn the water supply off and drain the dishwasher. To drain, press the **Drain/Off** pad once. Operate the drain twice to ensure most of the water is removed. Last, disconnect the electrical supply and prop open the door.



# Before You Call .....

Check these points to help save you time and money:

## Won't Fill

- Be sure door is latched securely.
- Be sure the water is turned on.
- Check that the dial/pad is properly selected for a cycle.
- Allow time for select models to drain/pause before filling.
- Check your home's circuit breaker or fuse box.
- Check inlet hose for a kink.
- Check water valve inlet for sediment and clean if necessary.

## Won't Drain/Water in Tub Bottom

- If connected to a food waste disposer, be sure the knock-out is removed from the disposer inlet.
- Be sure the drain hose is elevated at least 32" so water cannot siphon back into the tub.
- Check for a food obstruction in the drain or disposer.
- Check drain hose for a kink.
- Check your home's circuit breaker or fuse box.
- Check that the cycle is completed.

## Detergent Cup Not Empty

- Check that the cycle is completed.
- Be sure dispenser is not blocked.
- Use fresh detergent which has been stored in a cool, dry place.

## Seems Noisy

- A water valve hiss during fill is normal.
- Water circulation sounds are normal.
- A ticking noise is a normal timer sound.
- A thumping sound may be a wash arm bumping an item that is extending beyond the racks.
- Chopping or grinding sounds may be heard during drain as the internal food disposer chops hard items like fruit seeds, nuts, etc.
- Humming during drain is normal.
- A snap noise is the detergent cup lid hitting the door liner when the dishwasher door is opened at the end of the cycle. This is normal.
- Proper installation affects the noise level.

## Cycle Takes Too Long— (Heating Delay light stays on)

- Sanitize has been selected and the cycle is extended if the water temperature is low.
- Check to see that the incoming water temperature is 120-140° F (49-60° C).

## Has An Odor

- Run dishes being held in the dishwasher through a Rinse Only cycle.
- Many dishwashers have a "new" smell when first installed. This will dissipate with use.
- A chemical odor is usually the chlorine bleach in dishwasher detergents. Try another brand.
- Dishwasher may not be draining properly. (See "Won't Drain" section.)
- For a strong odor place baking soda in both sides of the detergent cup. Select Light Wash and allow the water to circulate for about 10 minutes. Interrupt the cycle by unlatching the door and let it stand overnight. Restart the dishwasher by latching the door and allow it to complete the cycle. A dishwasher cleaning product such as Jet-Dry Dishwasher Cleaner\* can also be used.

## Leaks

- Check that the dishwasher is level. (Refer to the Installation Instructions.)
- Suds can cause the dishwasher to overflow. Measure the detergent carefully and use only detergents designed for use in a dishwasher. Less detergent is needed in soft water. Try another brand if sudsing continues.
- Follow directions closely on how to add a forgotten item (pg. 7).
- Be sure the Rinse Aid lid is securely attached and product is not leaking.

**SANITIZED Light Does Not Illuminate at the End of the Cycle**

- Sanitize was not selected.
- Sanitization can only be achieved with the Heavy, Light, or Normal Wash cycles.
- The incoming water temperature was too low, interfering with the dishwasher's ability to achieve adequate water heating in the allotted amount of time.

**Food Soil Remains On Dishes**

- Check water temperature. (pg. 5)
- Run hot water at the sink before starting the dishwasher.
- Select Sanitize.
- Check water hardness and adjust detergent amount accordingly. (pg. 5)
- Use fresh detergent stored in a cool dry place.
- Select proper cycle for the soil level.
- Load items so they do not block the wash arms or center tower. (pgs. 2-3)
- Load the utensil basket with some handles up and some down to prevent nesting.
- Do not load glasses over tines.
- Prior to loading, scrape off burnt on foods and wipe the starchy film from utensils used with pasta, rice and oatmeal. These soils require more energy than the rest of the load to clean.

**Glasses Are Cloudy/Spotted**

- Always use a rinse aid.
- Check water temperature, incoming water should be 120-140° F (49-60° C).
- Confirm that the cloudiness is removable by soaking the item in white vinegar for approximately 5 minutes. If removed, the problem is due to hard water. Adjust detergent amount being used to match water hardness (pg. 5). Be sure detergent is fresh, stored properly and is a high quality brand.
- If cloudiness is not removable, it is **etching**. This is an erosion of the surface of the glassware and can be caused by water that is too hot, from using too much detergent or by prewashing. Detergent needs food soil to act upon. If etching has occurred, the glassware is permanently damaged. To prevent further etching, adjust the detergent amount to match the water hardness, stop prewashing, and be sure incoming water is not greater than 140° F (60° C). Use water heating options only when incoming water temperature is below 120° F (49° C).

**Items Washed in the Dishwasher or the Dishwasher Tub Itself are Stained/Discolored**

- Aluminum utensils or pans can leave marks when they rub against other items. Leave a slight space between items.
- Iron in the water can leave a yellow, brown or orange film on dishes or the dishwasher tub. A filter may be needed, check with a water treatment company.
- Color from tomato-based food soils temporarily adhere to the plastic interior components (pg. 8). If light staining has occurred, leave the door open to oxidize the stain away. For removal of heavier stains, try a citric acid containing dishwasher cleaning product such as Glisten (part no. 18001017)\*\*. Change dishwasher detergent and be sure to use a dishwasher detergent that contains chlorine to better fight staining.

**Items Not Properly Dried/Moisture is present on the dishwasher interior after the dry cycle**

- Be sure Heated Dry is selected.
- Water droplets may form on the inner door as part of the drying process.
- Always use a rinse aid like Jet Dry\* or Cascade Rinse Aid\*.
- Check water temperature. (pg. 5)
- Select Sanitize.
- Increase detergent amount to match water hardness. (pg. 5)
- Load properly. (pgs. 2-3)
- Plastic and teflon items are difficult to dry because the porous surface tends to collect water droplets. Towel drying may be necessary.
- Glasses and cups with concave bottoms hold water and require towel drying.

**Dishware is Chipped**

- Load dishes according to instructions so they do not strike each other. (pgs. 2-3)
- Washing antique china/crystal in the dishwasher is not recommended.
- Do not load glasses over the tines.
- Do not overload.

\* Brand names are trademarks of the respective manufacturer.

\*\* To order call 1-800-688-8408.



# Dishwasher Warranty.....

## Full One Year Warranty

For ONE (1) year from the date of original retail purchase, any part which fails in normal home use will be repaired or replaced free of charge.

## Limited Second Year Warranty

After the first year from the date of original retail purchase, through the second year, parts which fail in normal home use will be repaired or replaced free of charge for the part itself, with the owner paying all other costs, including labor, mileage and transportation.

## Limited Third Through Fifth Year Warranty

After the second year from the date of original retail purchase, through the fifth year, all of the following components which fail in normal home use will be repaired or replaced free of charge for the part itself, with the owner paying all other costs, including labor, mileage and transportation. These components include:

Any parts of the Jetclean® system for all models, including the complete power module assembly, soil sensor, center spray nozzle, spray arms, top wash arm hose, and motor.

Computer Touch Control models only – any microprocessor and touch pad assemblies.

All models against rust, including exterior cabinet and front panels of convertible models, the exterior front panels and accessory side panels of built-in models, and premium DuraGuard® coated racks (available on select models).

## FULL LIFETIME WARRANTY

At any time following the date of the original retail purchase, should the tub develop a water leak in normal home use, the dishwasher itself will be replaced **FREE OF CHARGE**.

At any time following the date of the original retail purchase, should the door liner develop a water leak in normal home use, repair or replacement of the door liner will be made **FREE OF CHARGE**.

**PLEASE NOTE:** These full warranties apply only when the dishwasher is located in the United States or Canada. Dishwashers located elsewhere are covered by the limited warranties only, including a limited warranty for parts which fail during the first year.

## Canadian Residents

These warranties cover only those dishwashers installed in Canada that have been listed with Canadian Standards Association unless the dishwashers are brought into Canada due to transfer of residence from the United States to Canada.

The specific warranties expressed above are the **ONLY** warranties provided by the manufacturer. These warranties give you specific legal rights, and you may also have other rights that vary from state to state.

## To Receive Warranty Service

To locate an authorized service company in your area contact the Maytag dealer from whom your appliance was purchased; or call Maytag Appliances Sales Company, Maytag Customer Assistance at the number listed below. Should you not receive satisfactory warranty service, please call or write:

Maytag Appliances Sales Company  
Attn: CAIR® Center  
P.O. Box 2370  
Cleveland, TN 37320-2370  
**U.S. 1-800-688-9900**  
**CANADA 1-800-688-2002**

**U.S. customers using TTY for deaf, hearing impaired or speech impaired, call 1-800-688-2080.**

**NOTE:** When writing about an unsolved service problem, please include the following information:

- (a) Your name, address and telephone number
- (b) Model number and serial number (found on the upper left corner of the tub opening) of your appliance
- (c) Name and address of your dealer and the date the appliance was purchased
- (d) A clear description of the problem you are having
- (e) Water hardness, detergent brand and amount, water temperature, and cycle used
- (f) Proof of purchase (sales receipt)

## What Is Not Covered By These Warranties:

1. Conditions and damages resulting from any of the following:
  - a. Improper installation, delivery, or maintenance.
  - b. Any repair, modification, alteration or adjustment not authorized by the manufacturer or an authorized servicer.
  - c. Misuse, abuse, accidents. or unreasonable use.
  - d. Incorrect electric current, voltage or supply.
  - e. Improper setting of any control.
2. Warranties are void if the original serial numbers have been removed, altered, or cannot be readily determined.
3. Products purchased for commercial or industrial use.
4. The cost of service or service call to:
  - a. Correct installation errors.
  - b. Instruct the user on proper use of the product.
  - c. Transport the appliance to the servicer.
5. Consequential or incidental damages sustained by any person as a result of any breach of these warranties. Some states do not allow the exclusion or limitation of consequential or incidental damages, so the above exclusion may not apply.

User's Guides, service manuals and parts information are available from Maytag Appliances Sales Company, Maytag Customer Assistance.

**MAYTAG • One Dependability Square • Newton, Iowa 50208**

**MAYTAG ONLINE** <http://www.maytag.com>

Litho U.S.A.

# GUIDE DE L'UTILISATEUR

## TABLE DES MATIÈRES

Bienvenue.....	13
Mesures de sécurité.....	13
Chargement.....	14-16
Avant de Commencer.....	14
Panier Supérieur.....	14
Panier Inférieur.....	15
Pour Retirer le Panier Supérieur.....	16
Points Essentiels.....	17
Eau Chaude.....	17
Détergent.....	17
Agent de Rinçage.....	17
Les Contrôles en bref.....	18-19
Cycles.....	18
Options.....	18
Voyant Indicateur.....	18
Conseils d' Utilisation.....	19
Mise en Marche du Lave-Vaisselle.....	19
Ajout d'un Article Oublié.....	19
Articles d'un Entretien Particulier.....	20
Nettoyage et Entretien.....	20
Intérieur/Extérieur.....	20
Remisage ou déménagement.....	20
Avant d'appeler un service de dépannage.....	21-22
Garantie.....	23
Guía del Usuario.....	24

**REMARQUE:** En raison des perfectionnements constamment apportés à nos lave-vaisselle, il se peut qu'une le lave-vaisselle soit modifiée sans que ce guide soit révisé.

# Bienvenue

Nous vous félicitons sur le choix d'un lave-vaisselle Maytag Jetclean®!

Avant d'utiliser ce nouvel appareil, prière de lire soigneusement le présent guide. Il contient des consignes sur l'exploitation et l'entretien du nouveau lave-vaisselle.

Prière de consigner la date d'achat, le modèle et le numéro de série dans les espaces fournis ci-dessous. Le modèle et le numéro de série se trouvent dans le gauche de la cuve.

Date d'Achat \_\_\_\_\_

Numéro de Modèle \_\_\_\_\_

Numéro de Série \_\_\_\_\_

**REMARQUE:** Conservez ce guide et le coupon de caisse dans un endroit sûr pour référence ultérieure. Une preuve de l'achat d'origine est exigée pour toutes présentations de garantie.

**ATTENTION** – Vérifier, auprès de l'installateur, que l'appareil est bien relié à la terre pour éviter toute possibilité d'électrocution. Veiller également à lire les Mesures de Sécurité Importantes, avant d'utiliser l'appareil.

Pour toute question, nous écrire (inclure le modèle, le numéro de série et le numéro de téléphone) ou téléphoner au:

Maytag Appliances Sales Company  
Attn: CAIR® Center  
P.O. Box 2370  
Cleveland, TN 37320-2370 États-Unis  
1-800-688-2002 CANADA  
(Lundi-vendredi, 8 h à 8 h, heure de l'est)  
Internet : <http://www.maytag.com>

## Mesures de Sécurité

Les appareils portant le symbole (UL) sont homologués par les Laboratoires des Assureurs, Inc. Ceux portant le monogramme CSA sont homologués par l'Association Canadienne de Normalisation. Cependant, comme avec tout appareil utilisant de l'électricité et comportant des pièces mobiles, il existe toujours des possibilités de danger.

**ATTENTION:** Lors de l'utilisation du lave-vaisselle, suivre des précautions de base, dont les suivantes:

1. Lire toutes les instructions avant d'utiliser le lave-vaisselle.
2. Utiliser le lave-vaisselle uniquement pour l'usage pour lequel il est prévu.
3. Débrancher le lave-vaisselle ou en couper l'alimentation avant toute réparation ou intervention de dépannage.
4. Pour éviter tout risque d'électrocution, les côtés et le dos de l'appareil doivent être enclos et les panneaux avant en place avant que le lave-vaisselle ne soit mis sous tension. Vous référer au manuel de mise en service pour une mise à la terre correcte.
5. Brancher l'appareil sur un circuit d'alimentation correctement protégé et d'une puissance nominale suffisante pour éviter une surcharge électrique.
6. Ne pas laisser les enfants utiliser le lave-vaisselle ni jouer avec, dedans ou autour.
7. Pour réduire les risques de blessures lors du chargement du lave-vaisselle, placer tout objet pointu ou coupant manche vers le haut. Veiller également à le charger de façon à ce qu'il ne puisse pas abîmer le joint de la porte.
8. Ne pas toucher l'élément chauffant situé au fond de la cuve durant le lavage ou à la fin de ce dernier. Il est alors chaud.
9. Utiliser uniquement des détergents ou agents de rinçage spécialement conçus pour les lave-vaisselle. Ne jamais utiliser de savon, de détergent pour la lessive ni de détergent pour la vaisselle à la main. Garder ces produits hors de portée des enfants.
10. Ne pas vous asseoir ni monter sur la porte ni les paniers, ni autrement les abîmer.
11. Dans certaines conditions, il peut y avoir production d'hydrogène dans un système de chauffage d'eau qui n'est pas utilisé pendant 2 semaines ou plus. **L'hydrogène est un gaz explosif.** Si votre système de chauffage d'eau n'est pas utilisé pendant une telle durée, ouvrir tous les robinets d'eau chaude et laisser couler l'eau pendant plusieurs minutes. Ceci élimine toute accumulation d'hydrogène. Ce gaz étant inflammable, ne pas fumer ni utiliser de flamme vive pendant ce temps.
12. Ne pas laver d'articles en plastique dans le lave-vaisselle, sauf s'ils sont indiqués comme pouvant aller au lave-vaisselle. Dans le cas d'articles en plastique ne portant pas d'indications précises à cet effet, se référer aux recommandations du fabricant.
13. Ne pas modifier les mécanismes de commande.
14. Pour éviter tout risque d'enfermement et suffocation d'un enfant, on doit toujours démonter la porte du compartiment de lavage lorsqu'on retire un vieux lave-vaisselle du service ou lorsqu'on le met au rebut.
15. Faire preuve de prudence lors du déchargement du lave-vaisselle. La vaisselle est brûlante lorsqu'elle est retirée peu de temps après que le cycle se soit terminé.

## Conserver ces instructions



# Chargement

## Avant de Commencer

- **Ne pas prérincer.** Il suffit de jeter os et gros morceaux de nourriture.
- Si le lave-vaisselle s'évacue dans un broyeur à déchets, veiller à ce que celui-ci soit totalement vide avant de mettre le lave-vaisselle en marche.
- Gratter les taches tenaces laissées par les aliments à base de tomates (voir page 20).

- **Éliminer certains aliments** (tels que moutarde, mayonnaise, jus de citron, vinaigre, sel et vinaigrettes) **des articles en acier inoxydable aussi rapidement que possible.** Ils peuvent attaquer le métal s'ils restent en contact prolongé avec celui-ci.

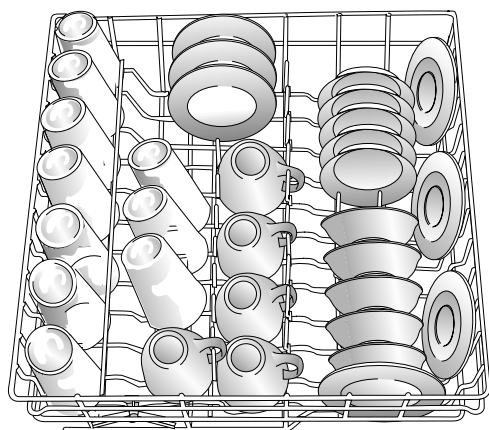
## Recommandations d'Ordre Général

- Placer les articles dans les paniers de façon à ce qu'ils ne soient pas collés les uns aux autres et les tourner vers le centre.
- Les articles peuvent être centrés sur une tige de retenue ou chargés en biais pour tirer le meilleur parti possible de l'espace.
- Charger la vaisselle de façon à ce qu'aucun article ne repose sur le dessus de la tourelle.
- Éviter de bloquer les bras gicleurs inférieur et supérieur. Pour cela, ne rien laisser dépasser des paniers.

## Chargement Recommandé (les caractéristiques des paniers varient selon le modèle)

Pour obtenir de meilleurs résultats, observer les présentes directives pour déterminer la disposition qui convient le mieux à vos articles.

### Panier Supérieur

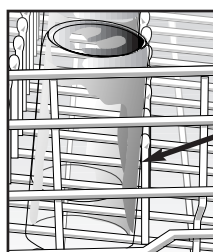


10 Couverts

La tablette Stack-Rack (modèles sélectionnés), du côté droit du panier supérieur, se relève et se rabat, permettant plus de flexibilité dans le chargement d'une variété d'articles. La rabattre pour maintenir en place couteaux à long manche, spatules et cuillères ou encore des articles de peu de hauteur tels que tasses ou verres à jus de fruit. La relever pour permettre de placer des articles plus hauts tels que verres, bols, assiettes, etc.

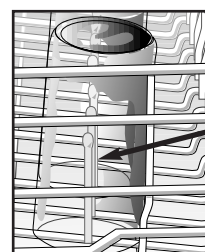
Il peut recevoir verres, tasses, verres à pied, articles en plastique léger, petites assiettes, bols, casseroles, récipients à long manche, etc. **Ne pas placer les verres sur les tiges de retenue.**

Correct

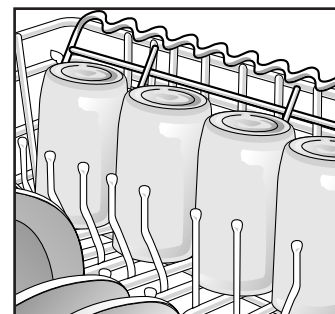
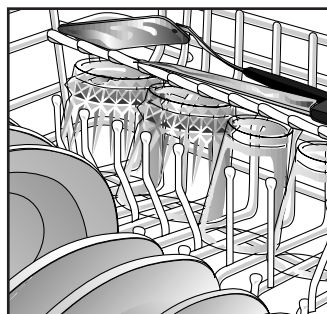


Tige à l'extérieur

Incorrect



Tige à l'intérieur



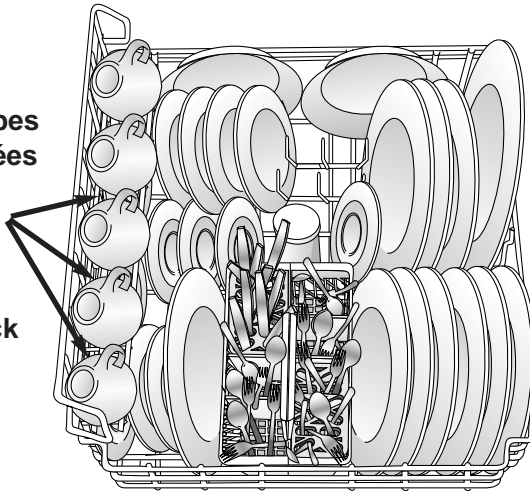


# Chargement (continuer)

## Panier Inférieur

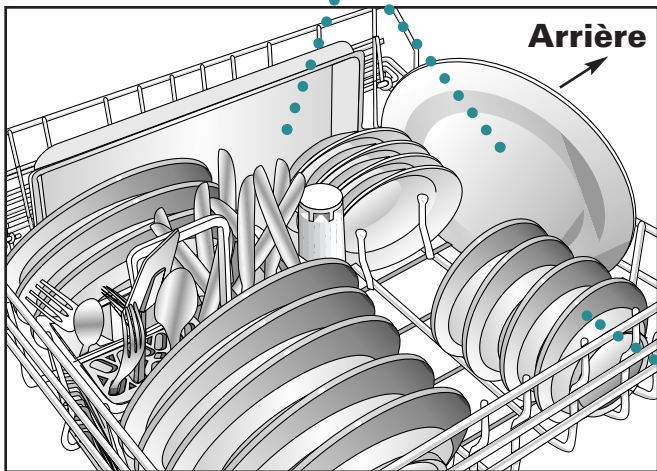
Ce panier peut accueillir plusieurs grands articles, comme les assiettes à dîner, les bols à mélanger, les casseroles et les plats de cuisson.

3 soucoupes sont placées dans le panier sous la tablette Stack-Rack

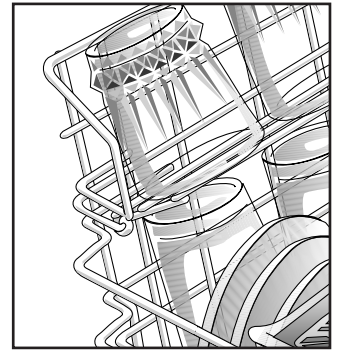
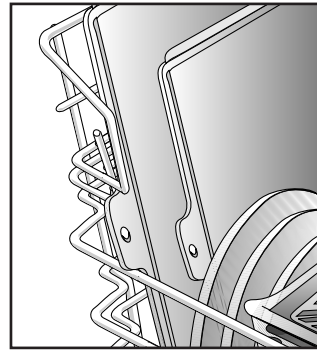


10 Couverts

Des articles en hauteur tels que moules à gâteaux et grands plats de service peuvent être placés du côté gauche ou à l'arrière de ce panier.

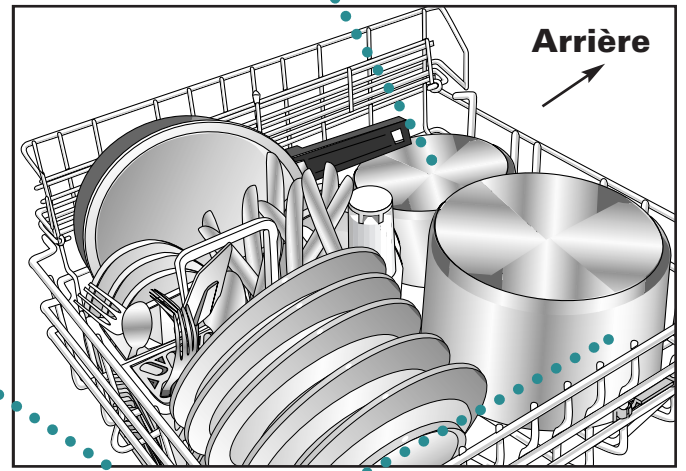


**Remarque:** Orienter les surfaces sales vers le centre du lave-vaisselle.



Lorsque la tablette Stack-Rack (modèles sélectionnés) est relevée, elle permet de placer des articles peu épais tels que plaques à biscuits, plats à pizza, etc. le long du côté gauche. Lorsqu'elle est rabattue, elle permet de placer verres et tasses sur deux étages.

Si les tiges de retenue Fold-Away™ (modèles sélectionnés) sont rabattues, à l'arrière gauche du panier, elles laissent un espace pratique pour les articles de grandes dimensions comme les marmites ou les grandes casseroles ou les bols à mélanger.



Les tiges adaptables situées dans le coin arrière droit sont ajustables pour fournir un jeu étroit pour les assiettes ou large pour les bols profonds ou les casseroles. Orienter les tiges vers le haut pour obtenir un jeu étroit ou vers le bas pour obtenir un jeu large.



## Panier à Ustensiles Split & Fit™

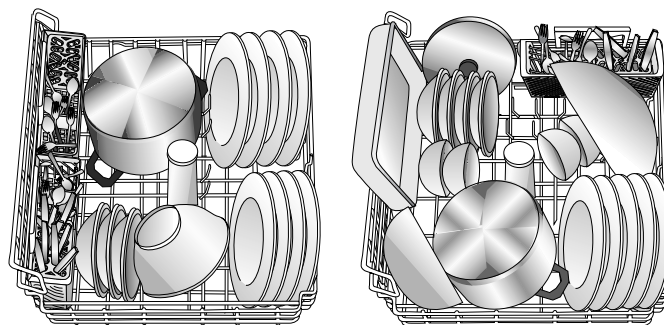
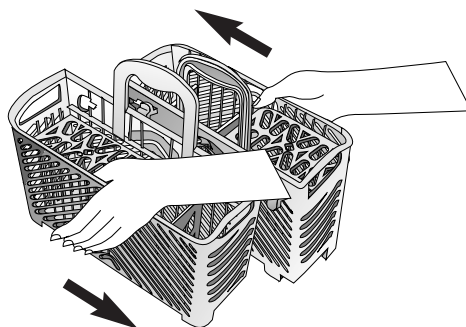
Il est possible de séparer le panier à ustensiles pour placer chaque moitié en deux endroits distincts du panier inférieur. Tenir fermement le panier par les côtés. Suivre les flèches de déverrouillage gravées sur le panier et glisser chaque moitié du panier jusqu'à ce qu'il se sépare. Charger les ustensiles dans chaque moitié ou dans une seule, selon leur nombre.

Pour obtenir de meilleurs résultats au lavage, empêcher les articles de se placer directement l'un sur l'autre. En ce sens, disposer certains ustensiles la poignée vers le bas et d'autres la poignée vers le haut. Charger les couteaux la poignée vers le haut dans les fentes du couvercle articulé refermé.

S'assurer que les articles minces et effilés ne dépassent pas du panier, sinon ils risquent de bloquer le bras de lavage inférieur.

Disposer les petits articles légers, comme les cuillers de bébé et les cuillers à mesurer de plastique, dans la section du couvercle articulé.

Ranger les ustensiles à long manche comme spatules et cuillères en bois dans les sections les plus éloignées de la porte.



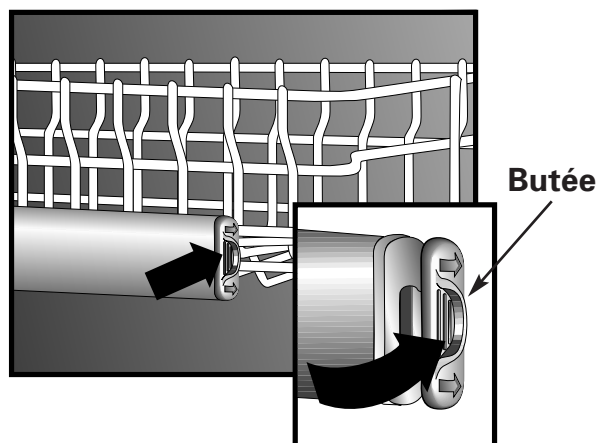
## Pour Retirer le Panier Supérieur

On peut retirer le panier supérieur si on désire placer des articles de plus grandes dimensions dans le panier du bas.

**Remarque:** Ne pas disposer d'articles par-dessus la tour centrale de lavage.

### Pour retirer le panier supérieur:

- Faire rouler le panier vers soi jusqu'à ce qu'il soit retiré environ du tiers ou de la moitié.
- Pour retirer la butée en plastique installée à l'extrémité de chaque glissière, pousser vers l'intérieur (vers le panier) sur la moulure de la butée. La butée s'ouvre d'un coup sec; il est alors facile de l'enlever en tirant vers soi. S'assurer de bien soutenir la glissière au moment d'enlever les butées.
- Tirer complètement le panier vers soi afin de le retirer du lave-vaisselle.
- Pour remettre le panier supérieur en place, inverser l'ordre des instructions précitées.





# Points Essentiels.....

## Eau Chaude

**Pour obtenir les résultats voulus au lavage et au séchage, une eau très chaude est essentielle. Elle doit être entre 49° et 60° C (120° et 140° F) pour activer le détergent et faire fondre la graisse laissée par les aliments.**

Pour vérifier la température de l'eau, ouvrir le robinet d'eau chaude le plus proche du lave-vaisselle et faire couler l'eau dans un verre, dans l'évier. Mettre un thermomètre à confiserie dans le verre, attendre que la tem-

pérature cesse de monter et lire la température indiquée. Si l'eau est à une température inférieure à 49° C (120° F), faire régler le thermostat de votre chauffe-eau par une personne qualifiée.

Avant de démarrer le lave-vaisselle, ouvrir le robinet d'eau chaude pour laisser couler l'eau jusqu'à ce qu'elle devienne chaude. Ainsi, le remplissage initial se fera au moyen d'une eau chaude.

## Détergent

Utiliser uniquement un détergent en poudre spécialement conçu pour les lave-vaisselle. Utiliser du détergent frais et le conserver dans un endroit frais et sec (pas sous l'évier).

### Quantité Recommandée

Une quantité insuffisante de détergent se traduit par un mauvais lavage, des pellicules ou des taches d'eau dure et un séchage inadéquat. Une quantité trop importante de détergent entraîne des égratignures permanentes et la nébulosité.

Dans le cas des taches laissées par les aliments exigeant le cycle **Heavy** (gros lavage) ou **Normal** et/ou une eau dure\*, remplir les deux moitiés du distributeur principal à détergent. Pour laver des taches exigeant le cycle **Light** (peu sale) et/ou une eau douce\*, remplir seulement le côté Light (léger) du distributeur.

Ne pas utiliser de détergent avec le cycle **Rinse Only** (rinçage seulement). Laisser le couvercle du distributeur ouvert lors de l'exécution du cycle **Rinse Only** (rinçage seulement).

Lorsque l'eau est extrêmement dure (15 grains par gallon (4,4 l) ou plus\*), il devient difficile d'obtenir de bons résultats, peu importe le lave-vaisselle. Un adoucisseur d'eau mécanique peut se révéler nécessaire pour améliorer la qualité de l'eau et l'efficacité du détergent en plus de protéger les pièces du lave-vaisselle contre les dommages causés par l'eau dure.

### Dureté de l'Eau\*

Douce (0 à 3 gpg) Moyenne (4 à 9 gpg) Dure (10 à 12 gpg)

\* Le service de traitement des eaux de votre localité ou le service-conseil de l'université de la région peut mesurer le degré de dureté de l'eau.

## Agent de Rinçage

**L'utilisation régulière d'un agent de rinçage améliore le séchage, réduit la formation de taches et de pellicules et diminue la quantité d'humidité laissée à l'intérieur du lave-vaisselle.**

Un distributeur automatique d'agent de rinçage se trouve à côté des distributeurs de détergent. La fenêtre située à côté du distributeur indique la quantité d'agent de rinçage dans le distributeur. Lorsque le niveau de l'agent de rinçage se trouve sous les marques et que la fenêtre est presque transparente, il est temps de remplir le distributeur. **Vérifier le distributeur tous les mois.**

Pour ajouter de l'agent de rinçage dans le distributeur, tourner le couvercle dans le sens antihoraire pour l'ouvrir. Enlever le couvercle et verser l'agent de rinçage dans l'ouverture. Il est possible de régler la quantité d'agent de rinçage distribuée durant le lavage en déplaçant le levier situé à l'intérieur du réservoir. Utiliser le réglage «1» pour une eau douce, jusqu'au réglage «MAX» pour une eau dure. Disposer le levier en tout point entre ces deux marques, selon la quantité désirée. Replacer le couvercle et le tourner dans le sens horaire pour le fermer.



# Les Contrôles en Bref



SANITIZED ●  
CLEAN ●  
DRY ●  
WASH ●  
HEATING DELAY ●



La disposition du panneau de commande peut varier selon le modèle.

## Cycles

OPTIONS DE CYCLE	SÉQUENCE	CONSOMMATION D'EAU
<b>Heavy Wash (gros lavage)</b> convient à la vaisselle très sale.	Prélavage Prérinçage Lavage principal Prérinçage Rinçage Haute Température Séchage	37 L (9,8 Gal.)
<b>Normal Wash (lavage normal)</b> est conçu pour la vaisselle normalement sale.	Prélavage Lavage principal Prérinçage Rinçage Haute Température Séchage	29,52 L (7,8 Gal.)
<b>Light Wash (vaisselle peu sale)</b> est conçu pour la vaisselle légèrement sale	Lavage principal Prérinçage Rinçage Haute Température Séchage	21,95 L (5,8 Gal.)
<b>Rinse Only (rinçage seulement)</b> permet de rincer la vaisselle qui se trouve dans le lave-vaisselle en attendant qu'il soit plein, de façon à réduire la possibilité d'odeurs de nourriture.	Rinçage	7,19 L (1,9 Gal.)

## Options

Sélectionner l'option **Sanitize (stérilisation)** pour nettoyer et stériliser la vaisselle sous le cycle désiré (sauf **Rinse Only (rinçage seulement)**).

Sélectionner également cette option pour améliorer le lavage et le séchage de tous les types de chargements car elle ajoute de la chaleur et comporte des vérifications supplémentaires de la température de l'eau lors du lavage principal et du rinçage final.

Choisir l'option **Heated Dry (séchage à chaud)** pour allumer l'élément chauffant durant le séchage et améliorer ainsi les résultats. Sans cette option, il sera parfois nécessaire d'essuyer certains articles de plastique et de téflon au moyen d'un linge et l'intérieur du lave-vaisselle risque de retenir davantage l'humidité. Avec l'une ou l'autre des options de séchage, il est normal de remarquer la vapeur s'échapper de l'évent.

Pour vider le lave-vaisselle et l'arrêter, appuyer sur la touche **Drain/Off (vidange/arrêt)**. Appuyer deux fois sur cette touche pour arrêter le lave-vaisselle sans le vider.

## Voyant Indicateur

Le voyant **SANITIZED (stérilisé)** s'allume à la fin des cycles **Light (peu sale)**, **Normal** et **Heavy Wash (gros lavage)** lorsque l'option **Sanitize (stérilisation)** a été sélectionnée et que les conditions appropriées de stérilisation ont été respectées.

**Remarque:** Lorsque l'option **Sanitize (stérilisation)** est sélectionnée, les cycles font l'objet d'un contrôle pour assurer la stérilisation. Une eau de température anormalement basse empêcheront la stérilisation et le voyant **SANITIZED (stérilisé)** ne s'allume alors pas à la fin du cycle.

Le voyant **CLEAN (nettoyage)** s'allume à la fin du cycle de séchage et demeure allumé jusqu'à ce que la porte ait été ouverte pendant au moins 30 secondes sans interruption.

Le voyant **DRY (séchage)** s'allume pendant la durée entière du séchage et s'éteint lorsque le cycle est terminé.

Le voyant **WASH (lavage)** s'allume durant toutes les parties de rinçage et de lavage du cycle.

Le voyant **HEATING DELAY (délai de chauffage)** s'allume lorsque le cycle se prolonge pour chauffer l'eau jusqu'à la température appropriée.

## Delay/Resume

L'option **Delay/Resume (délai/reprise)** peut servir à démarrer automatiquement le cycle à un moment ultérieur, comme durant la nuit pour profiter d'un coût d'électricité moindre ou pour réduire l'accumulation de chaleur diurne dans la maison.

### Pour régler un délai:

- 1 Sélectionner le cycle et les options en fonction de la charge.
- 2 Presser la touche **Delay/Resume (délai/reprise)** jusqu'à ce que l'appareil indique le délai voulu (2, 4 ou 6 heures). Le délai commence à s'écouler dès le relâchement de la touche.
- 3 Le voyant **DELAY HOURS (heures de délai)** demeure allumé jusqu'à l'expiration du délai.
- 4 Le cycle démarre automatiquement dès l'expiration du délai.

**Remarque:** À l'enfoncement de la touche **Delay/Resume (délai/reprise)** sans que l'on sélectionne un cycle ou une option, le lave-vaisselle reprend le dernier cycle utilisé [il ne tient pas compte du cycle **Rinse Only (rinçage seulement)**.]

### Annulation d'une Délai

Attendez au moins 2 secondes, appuyer à nouveau sur la touche **Delay/Resume (délai/reprise)**. Le voyant s'éteint et le cycle commence immédiatement.


## Les Contrôles en Bref (continuer).....

### Option de Verrouillage des Commandes


Il est possible de verrouiller les touches de commande pour en empêcher l'enfoncement accidentel. Lorsque cette fonction est activée entre les cycles, il devient impossible de faire fonctionner le lave-vaisselle tant que l'on ne déverrouille pas les commandes. Au besoin, verrouiller les commandes après un cycle ou après le début d'un délai.

**Remarque:** Cette option ne verrouille pas la porte, seulement les commandes du lave-vaisselle.

### Verrouillage des Commandes:

- 1 Appuyer sur la touche  pendant trois secondes.
- 2 Un voyant situé au-dessus de la touche s'allume lorsque les commandes sont verrouillées.

### Pour déverrouiller:

- 1 Appuyer sur la touche  pendant trois secondes.
- 2 Le voyant s'éteint.

**Remarque:** L'enfoncement d'une touche de cycle ou d'option après le verrouillage des commandes fait clignoter cinq fois le voyant situé au-dessus de la touche **Control Lock (verrouillage des commandes)**.



## Conseils d'Utilisation.....

### Mise en Marche du Lave-Vaisselle

- 1 Une fois le lave-vaisselle chargé et le détergent ajouté, fermer le lave-vaisselle en appuyant sur la porte jusqu'à ce que le verrou produise un « clic ».
- 2 Appuyer fermement sur les touches de cycle et d'options désirées pour mettre le lave-vaisselle en marche (le remplissage débutera après une pause). Pour éviter les changements de cycle ou d'option imprévus, ces sélections sont «verrouillées» après une minute.
- 3 Le voyant du cycle sélectionné s'allume.
- 4 Pour annuler une option, appuyer de nouveau sur la touche. Pour annuler un cycle, appuyer sur la touche **Drain/Off**.

**Remarque:** L'enfoncement d'une touche de cycle ou d'option après le verrouillage d'une sélection fait clignoter cinq fois le voyant situé au-dessus de la touche **Control Lock (verrouillage des commandes)**.

### Ajout d'un Article Oublié

Pour de meilleurs résultats de nettoyage, ajouter l'article tôt au cours du cycle.

- 1 Appuyer sur la touche **Delay/Resume (délai/reprise)** ou déverrouiller la porte.
- 2 Attendre que cesse le jet d'eau.
- 3 Ouvrir la porte et ajouter l'article.
- 4 Fermer et verrouiller la porte.
  - Si on avait enfoncé la touche **Delay/Resume (délai/reprise)**, l'enfoncer de nouveau pour redémarrer le lave-vaisselle.
- 5 Après cinq secondes, le cycle se poursuit automatiquement là où il s'était arrêté.

**Remarque:** Il n'est pas recommandé d'interrompre le cycle de lavage pendant une période prolongée.



## Articles d'un Entretien Particulier.....

La plupart des plats, assiettes, couverts et récipients servant à la cuisson et à la consommation d'aliments peuvent être lavés sans danger dans votre lave-vaisselle. Néanmoins, en cas de doute sur un article, vérifier avec le fabricant.

Matériau	Convient au Lave-Vaisselle ?	Renseignements Utiles
Aluminium	Oui, sauf l'aluminium anodisé.	L'eau à température élevée et le détergent peuvent en abîmer le fini.
Fonte	Non	Le «culottage» de la fonte se trouve enlevé et le fer rouille.
Porcelaine/ Faïence	Non, s'il s'agit de porcelaine ancienne ou peinte à la main.	Toujours vérifier les recommandations du fabricant avant de laver. La porcelaine ancienne, peinte à la main et les motifs rapportés peuvent perdre de leur netteté. Les dorures peuvent ternir.
Cristal	Non, s'il s'agit de cristal ancien ou de cristal fin et fragile.	Toujours vérifier les recommandations du fabricant avant de laver. Un voile peut se former sur certains types de cristal de plomb après des lavages répétés.
Filtres de Fournaise	Non recommandés.	Peut laisser une tache ou un dépôt poisseux sur la paroi intérieure du lave-vaisselle.
Verre	Oui	L'opaline jaunit lorsqu'elle est lavée au lave-vaisselle de façon répétée.
Couverts plaqués or	Non	Ternit.
Étain, Bois	Non	
Plastique	Oui, panier supérieur.	Toujours vérifier les recommandations du fabricant avant le lavage. Les plastiques résistent différemment aux températures élevées de l'eau et aux détergents. Les articles de plastique jetables ne conviennent pas au lave-vaisselle pour cette raison.
Acier inoxydable	Oui	Utiliser le cycle «Rinse Only» (rinçage d'attente) si les articles ne vont pas être lavés immédiatement. Le contact prolongé avec les aliments contenant du sel, du vinaigre, des produits laitiers ou du jus de fruits peut en abîmer le fini.
Argent ou plaqué argent	Non, s'il a été « patiné » artificiellement.	Toujours vérifier les recommandations du fabricant avant de mettre au laver. Utiliser le cycle «Rinse Only» (rinçage d'attente) si les articles ne vont pas être lavés immédiatement. Le contact prolongé avec les aliments acides ou contenant du sel ou du soufre (oeufs, mayonnaise, fruits de mer) peuvent en abîmer le fini. La «patine» artificielle peut être éliminée par le détergent.
Fer blanc	Non	Le bois peut gauchir, se fendre ou ternir.



## Nettoyage et Entretien.....

### Intérieur

L'intérieur de la lavaplatos se nettoie normalement de lui-même. Il est cependant recommandé de vérifier périodiquement, au fond de la cuve, la présence éventuelle de grosses particules qui pourraient ne pas être passées dans le filtre du module.

Il est également recommandé d'essuyer le rebord de l'habillage intérieur de la porte pour enlever les liquides qui s'y sont écoulés au cours du chargement du lave-vaisselle.

La couleur de certaines taches d'aliments à base de tomate peut parfois adhérer aux divers éléments de l'intérieur du lave-vaisselle, causant ainsi une décoloration temporaire. Pour minimiser ces taches:

- Gratter les grosses taches d'aliments à base de tomate de la vaisselle, avant le chargement. Toutefois, ne pas prélever la vaisselle.
- Exécuter le cycle **Heavy Wash (gros lavage)**.

### Extérieur

L'avant du lave-vaisselle peut être nettoyé à l'aide d'un linge doux humide et de produit nettoyant liquide à vaporiser. Ne pas utiliser de poudres ni de tampons à récurer.

### Soin et Nettoyage de l'Acier Inoxydable (modèles sélectionnés)

Ne pas utiliser de produit nettoyant à base de javellisant au chlore. **Toujours** essuyer **dans le sens** du grain de l'acier inoxydable. **Nettoyage quotidien et petite tache.** Utiliser un des produits suivants : utiliser un linge doux ou une éponge, du détergent doux et de l'eau, une solution de vinaigre blanc et de l'eau, la Formula 409

Glass and Surface Cleaner\* ou un nettoyant toute surface semblable. Rincer et sécher. Pour polir et prévenir les marques de doigts, appliquer une couche de Stainless Steel Magic Spray\* (numéro de pièce 20000008)\*\*.

**Tache moyenne ou importante.** Utiliser du Bon Ami\*, un linge doux ou une éponge humide. Rincer et sécher. Pour restaurer le lustre et enlever les marques, appliquer une couche de Stainless Steel Magic Spray\*

**Décoloration.** Essuyer avec du Cameo Stainless Steel Cleaner\* au moyen d'une éponge humide ou d'un linge doux. Rincer immédiatement et sécher. Pour restaurer le lustre et enlever les marques, appliquer une couche de Stainless Steel Magic Spray\*.

\*Marques déposées du fabricant respectif.

\*\* Pour commander, téléphoner au 1-800-688-8408.

### Remisage ou Déménagement

Remplir les deux compartiments du distributeur de détergent pour lave-vaisselle ayant une odeur fraîche et agréable ou de bicarbonate de soude et sélectionner le cycle «Normal». Laisser le lave-vaisselle terminer le cycle. Fermer ensuite le robinet d'eau et laisser le lave-vaisselle se vider. Pour vider l'eau du lave-vaisselle, appuyer une fois sur le poussoir **Drain/Off (vidange/arrêt)**. Effectuer deux fois la vidange pour s'assurer d'enlever la plus grande quantité d'eau possible. Enfin, débrancher le cordon électrique et ouvrir la porte du lave-vaisselle.



# Avant d'Appeler un Service de Dépannage.....

Vérifier ces points pour épargner temps et argent si:

## Le lave-vaisselle ne se remplit pas

- S'assurer que la porte est fermée à fond et verrouillée.
- Vérifier que l'arrivée d'eau est bien ouverte.
- Vérifier que la touche du cycle désiré est bien enfoncée ou que le sélecteur est sur le cycle désiré.
- Attendre, dans le cas de certains modèles, que le lave-vaisselle se vidange ou fasse une pause avant de se remplir.
- Vérifier le disjoncteur ou la boîte à fusibles.
- Vérifier que le boyau d'arrivée d'eau n'est pas tordu.
- Vérifier si l'électrovanne est obstruée par des sédiments et nettoyer s'il y a lieu.

## Le lave-vaisselle ne s'évacue pas/Eau au fond de la cuve

- Si le lave-vaisselle est relié à un broyeur à déchets, vérifier que l'obturateur du broyeur a bien été enlevé.
- Veiller à ce que le boyau de vidange soit surélevé d'au moins 81,3 cm (32 po) de façon à ce que l'eau ne soit pas resyphonée dans la cuve.
- S'assurer qu'aucune nourriture ne vient obstruer le boyau ou le broyeur.
- Vérifier que le boyau de vidange n'est pas tordu.
- Vérifier le disjoncteur ou la boîte à fusibles.
- Vérifier que le cycle est bien terminé.

## Le compartiment de détergent ne se vide pas

- Vérifier que le cycle est bien terminé.
- Vérifier que l'ouverture du distributeur n'est pas bloquée.
- Utiliser du détergent frais et le ranger dans un endroit frais et sec.

## Le lave-vaisselle semble bruyant

- Le sifflement de l'électrovanne pendant le remplissage est normal.
- Les bruits de circulation d'eau sont normaux.
- Un tic-tac est normal et provient de la minuterie.
- Un cognement peut être dû au bras gicleur qui tappe dans un article qui dépasse des paniers.
- Un bruit de broyage ou de hachage peut se produire pendant l'évacuation de l'eau lorsque le broyeur à déchets intégré broie des articles durs comme des pépins, des noix, etc.
- Il est normal qu'il se produise un bourdonnement pendant l'évacuation de l'eau.
- Un claquement provient du couvercle du compartiment du distributeur de détergent qui tappe dans l'habillage intérieur de la porte lorsque la porte du lave-vaisselle est ouverte à la fin du cycle. Cela est normal.
- Le niveau de bruit dépend de la qualité de la mise en service.

## Le cycle est trop long (le voyant «Heating Delay» reste allumé)

- Les options Sanitize (stérilisé) ont été choisies et le cycle se prolonge si la température de l'eau est basse.
- Vérifier si le chauffe-eau est réglé de façon à assurer une eau entre 49° et 60° C (120° et 140° F) au robinet.

## Le lave-vaisselle a une odeur

- Démarrer le cycle Rinse Only (rinçage seulement) lorsqu'on désire laisser la vaisselle dans le lave-vaisselle.
- Un lave-vaisselle nouvellement installé a une odeur de «neuf». Celle-ci disparaît à l'usage.
- L'odeur de produit chimique est en général produite par le chlore présent dans le détergent à lave-vaisselle. Essayer une autre marque.
- Le lave-vaisselle ne s'évacue pas correctement. (Voir sous «Le lave-vaisselle ne s'évacue pas correctement».)
- Si l'odeur est forte, verser du bicarbonate de soude de part et d'autre du distributeur de détergent. Sélectionner le cycle Light Wash (lavage léger) pour faire circuler l'eau pendant environ 10 minutes. Interrompre le cycle en déverrouillant la porte et laisser tel quel pendant une nuit. Redémarrer le lave-vaisselle en verrouillant la porte et laisser terminer le cycle. Il est aussi possible d'utiliser un nettoyeur de lave-vaisselle, comme le produit Jet-Dry Dishwasher Cleaner\*.

## Fuites

- Vérifier que le lave-vaisselle est de niveau. (Voir le manuel de mise en service.)
- La mousse peut faire déborder le lave-vaisselle. Mesurer le détergent avec soin et utiliser uniquement du détergent pour lave-vaisselle. Une eau douce nécessite moins de détergent. Essayer une autre marque de détergent si le détergent utilisé continue à produire trop de mousse.
- Veiller à procéder selon la marche à suivre indiquée pour ajouter un article oublié. (Voir page 19.)
- S'assurer que le couvercle de l'agent de rinçage est bien fixé et que le produit ne fuit pas.

**Le voyant  
SANITIZED ne  
s'allume pas à la fin  
du cycle**

- L'option «Sanitize» n'a pas été sélectionnée.
- La stérilisation n'est possible qu'avec les cycles Heavy, Normal, ou Light.
- La température de l'eau était trop basse, nuisant ainsi à la capacité du lave-vaisselle à chauffer l'eau dans le délai prévu.

**Il reste des résidus  
de nourriture sur la  
vaisselle**

- Vérifier la température de l'eau. (Voir page 17.)
- Faire couler le robinet d'eau chaude de l'évier avant de mettre le lave-vaisselle en marche.
- Sélectionner l'option Sanitize (stérilisé).
- Vérifier la dureté de l'eau et modifier la quantité de détergent en conséquence. (Voir page 17.)
- Utiliser du détergent frais, qui a été entreposé dans un endroit frais et sec.
- Sélectionner le cycle qui convient pour le degré de saleté.
- Charger la vaisselle de façon à ce que rien ne vienne bloquer les bras gicleurs ni la tourelle centrale. (Voir pages 14 à 15).
- Charger le panier à couverts en tournant certains manches vers le haut et d'autres vers le bas pour éviter qu'ils ne s'emboîtent les uns dans les autres.
- Ne pas placer les verres sur les tiges de retenue.
- Avant de charger, gratter les aliments brûlés et essuyer la pellicule amidée des ustensiles utilisés par les pâtes, le riz et le gruau. Ces taches sont plus difficiles à laver que les autres saletés.

**Le lave-vaisselle  
laisse des taches ou  
un voile sur les  
verres**

- Toujours utiliser un agent de rinçage.
- Vérifier la température de l'eau. L'eau du robinet doit être entre 49° et 60° C (120° et 140° F).
- Confirmer qu'il est possible d'enlever la nébulosité de l'article en le trempant pendant environ 5 minutes dans du vinaigre blanc. Si cela réussit, le problème est causé par une eau dure. Ajuster la quantité de détergent utilisée pour l'adapter à la dureté de l'eau (Voir page 17). S'assurer que le détergent est frais, bien rangé et de haute qualité.
- Si la nébulosité persiste, il s'agit alors de gravure. Une telle érosion d'une surface vitrée peut être causée par une eau trop chaude, par une utilisation d'une trop grande quantité de détergent ou par le pré-lavage (le détergent agit sur la saleté). S'il s'agit de gravure, le verre est endommagé de manière permanente. Pour empêcher la progression de l'érosion, ajuster la quantité de détergent selon la dureté de l'eau, ne plus pré-laver et s'assurer que la température de l'eau chaude n'est pas supérieure à 140 °F (60 °C). Utiliser les options de chauffage de l'eau seulement lorsque la température de l'eau est inférieure à 120 °F (49 °C).

**Les articles lavés  
dans le lave-vaisselle  
ou la cuve du lave-  
vaisselle sont  
tachés/décolorés**

- Les plats ou ustensiles en aluminium peuvent laisser des marques lorsqu'ils entrent en contact avec d'autres articles. Laisser un petit espace entre les articles.
- Le fer dans l'eau peut laisser une pellicule jaune, brune ou orange sur la vaisselle ou la cuve du lave-vaisselle. Un filtre peut être nécessaire, vérifier avec une compagnie spécialisée comme.
- La couleur de certaines taches d'aliments à base de tomate peut parfois adhérer aux divers éléments de l'intérieur (Voir page 20). S'il apparaît des taches légères, laisser la porte ouverte pour oxyder la tache. Pour enlever des taches rebelles, essayer un nettoyeur de lave-vaisselle à base d'acide citrique, tel que Glisten\*\*. Utiliser un autre détergent pour lave-vaisselle et s'assurer d'en utiliser un qui contient du chlore pour mieux combattre les taches.

**La vaisselle ne sèche  
pas correctement /  
on peut remarquer  
d'humidité à l'in-  
térieur du lave-  
vaisselle après le cycle.**

- Vérifier que l'option «Heated Dry» (séchage à chaud) a été sélectionnée
- Il peut se former des gouttelettes d'eau sur l'intérieur de la porte durant le séchage.
- Toujours utiliser un agent de rinçage, tel que Jet Dry\* ou Cascade Rinse Aid\*.
- Vérifier la température de l'eau. (Voir page 17.)
- Sélectionner l'option Sanitize (stérilisé).
- Augmenter la quantité de détergent utilisée en fonction de la dureté de l'eau. (Voir page 17.)
- Charger correctement le lave-vaisselle. (Voir pages 14 à 15.)
- Les articles de plastique et de téflon sont difficiles à sécher parce que leur surface poreuse tend à retenir les gouttelettes d'eau. Au besoin, sécher au moyen d'un linge.
- Les verres et les tasses à fond concave peuvent retenir l'eau. Il peut être nécessaire de les sécher au moyen d'un linge.

**La vaisselle se trouve  
ébréchée**

- Veiller à ce que la vaisselle soit chargée tel que recommandé, de façon à ce que les articles ne se cognent pas. (Voir pages 14 à 15.)
- Il n'est pas recommandé de laver de la porcelaine ou du cristal ancienne dans le lave-vaisselle.
- Ne pas placer les verres sur les tiges de retenue.
- Ne pas trop charger le lave-vaisselle.

\*Les noms de produits sont des marques déposées de leurs fabricants.

\*\*RoVer Rust Remover, numéro de pièce 057961

Glisten, numéro de pièce 18001017

Pour commander, téléphoner au 1-800-688-2002.



# Garantie de Lave-Vaisselle .....

## Garantie totale d'un an

Pendant la PREMIÈRE année suivant la date de l'achat d'origine, toute pièce venant à être défectueuse dans des conditions normales d'utilisation ménagère sera réparée ou remplacée gratuitement.

## Garantie limitée pour le deuxième année

Après la première année, toute pièce venant à être défectueuse dans des conditions normales d'utilisation ménagère au cours de la deuxième année suivant la date d'acquisition d'origine sera réparée ou remplacée gratuitement en ce qui concerne la pièce elle-même, tous autres frais, y compris le transport, le déplacement et la main-d'oeuvre, étant à la charge du propriétaire.

## Garantie limitée pour les troisième et cinquième années

Après la deuxième année suivant la date de l'achat d'origine et jusqu'à la cinquième année incluse, tout composant, parmi ceux indiqués ci-dessous, venant à être défectueux sera réparé ou remplacé gratuitement en ce qui concerne la pièce elle-même, le client prenant à sa charge les autres frais, y compris les frais de main-d'oeuvre, de déplacement et de transport.

Ces composants sont les suivants :

Toute pièce du système Jetclean®, y compris la totalité du bloc de puissance, détecteur de saleté, le gicleur central, les bras gicleurs, le boyau du bras gicleur supérieur et le moteur.

Dans les modèles à commandes informatisées, tout clavier à effleurement et microprocesseur.

Dans tous les modèles, toute pièce venant à rouiller, y compris la carrosserie et les panneaux avant, dans le cas des modèles convertibles, les panneaux avant extérieurs et les panneaux latéraux accessoires, dans le cas des modèles encastrables, ainsi que les paniers à DuraGuard® (modèles sélectionnés).

## GARANTIE À VIE COMPLÈTE

À partir de la date d'achat originale, nous remplacerons **SANS FRAIS** le lave-vaisselle si la cuve se met à fuir au cours d'une utilisation domestique normale.

À partir de la date d'achat originale, nous réparerons ou remplacerons **SANS FRAIS** l'intérieur de porte si ce dernier se met à fuir au cours d'une utilisation domestique normale.

À NOTER : Ces garanties totales s'appliquent uniquement si le lave-vaisselle se trouve aux États-Unis ou au Canada. Si l'appareil se trouve dans une autre partie du monde, il n'est couvert que par les garanties limitées, y compris en ce qui concerne les pièces se révélant défectueuses au cours de la première année.

## Résidents canadiens

Ces garanties couvre uniquement les appareils en service au Canada et homologués par l'Association canadienne de normalisation, sauf en ce qui concerne les appareils transférés au Canada à la suite d'un changement de résidence à partir des États-Unis.

Les garanties spécifiques énoncées ci-dessus sont les SEULES offertes par le fabricant. Ces garanties vous donne des droits légaux spécifiques et vous pouvez aussi jouir d'autres droits qui varient d'une province à l'autre.

## Pour obtenir les prestations de garantie

Pour localiser une entreprise de service après-vente agréé Maytag dans votre région, contacter le concessionnaire MAYTAG où la machine a été achetée ou appeler Maytag Appliances Sales Company le service-clients Maytag. Si les prestations de garantie obtenues ne vous donnent pas satisfaction, contacter ce service par courrier ou par téléphone:

Maytag Appliances Sales Company  
Attn: CAIR® Center  
P.O. Box 2370  
Cleveland, TN 37320-2370 États-Unis

Canada 1-800-688-2002

**REMARQUE :** Quand vous écrivez au sujet d'un problème non résolu, veuillez inclure les renseignements suivants :

- (a) Vos nom, adresse et numéro de téléphone
- (b) Les numéros de modèle et de série de votre machine (qui se trouvent dans le coin supérieur gauche de l'ouverture de la cuve)
- (c) Les nom et adresse du concessionnaire ainsi que la date d'achat de l'appareil
- (d) Une description claire du problème rencontré
- (e) La dureté de l'eau, les marque et quantité de détergent, la température de l'eau et le cycle utilisés
- (f) Date de la preuve d'achat (bon de caisse)

## Ne sont pas couverts par ces deux garanties:

1. Les problèmes et dommages résultant des situations suivantes:
  - a. Installation, livraison ou entretien défectueux.
  - b. Toute réparation, modification, altération ou ajustement non autorisé par le fabricant ou un prestataire de service après-vente agréé.
  - c. Usage inapproprié, abusif, déraisonnable ou accidents.
  - d. Alimentation électrique ou tension incorrectes.
  - e. Réglage inapproprié de toute commande.
2. Les garanties sont annulées si les numéros de série d'origine ont été enlevés, modifiés ou ne peuvent être déterminés facilement.
3. Appareils achetés à des fins commerciales ou industrielles.

## 4. Les frais de dépannage ou de visite pour:

- a. Corriger des erreurs d'installation.
- b. Enseigner au consommateur comment utiliser son appareil correctement.
- c. Assurer le transport de l'appareil jusqu'à l'entreprise de service après-vente.

## 5. Dommages indirects ou accessoires supportés par toute personne à la suite d'une quelconque violation de garantie.

Certain étas ne permettent pas l'exclusion ou la limitation de responsabilité en ce qui concerne les dommages indirects, et l'exclusion ci-dessus peut ne pas s'appliquer à votre cas.

Guide de l'utilisateur, manuels de dépannage et renseignements de pièces détachées sont disponibles auprès Maytag Appliances Sales Company, du service-clients Maytag.

**MAYTAG • One Dependability Square • Newton, Iowa 50208**

**MAYTAG ONLINE** <http://www.maytag.com>

Litho 'E.-U.



# GUÍA DEL USUARIO

## ÍNDICE

Bienvenido .....	25
Instrucciones de Seguridad .....	25
Para Cargar la Lavaplatos .....	26-28
Antes de Comenzar .....	26
Parrilla Superior .....	26
Parrilla Inferior .....	27
Remoción de la Parrilla Superior .....	28
Información Esenciales Sobre Lavado de Platos .....	29
Agua Caliente .....	29
Detergente .....	29
Aditivo de Enjuague .....	29
Un Vistazo a los Controles .....	30-31
Ciclos .....	30
Opciones .....	30
Luces Indicadoras .....	30
Consejos de Operación .....	31
Para Arrancar la Lavaplatos .....	31
Para Añadir un Artículo Olvidado .....	31
Artículos que Requieren un Cuidado Especial .....	32
Cuidado y Limpieza .....	32
Interior/Exterior .....	32
Almacenaje/Mudanza .....	32
Antes de Llamar para Solicitar Servicio .....	33-34
Garantía .....	Última Página

**NOTA:** En un esfuerzo continuo para mejorar la calidad de nuestras lavaplatos, podría ser necesario hacer cambios a la unidad sin hacer revisiones a esta guía.

# Bienvenido

¡Felicitaciones por su elección de la lavaplatos Jetclean® de Maytag!

Antes de utilizar su nuevo aparato, lea esta guía cuidadosamente. Las instrucciones sobre el funcionamiento y mantenimiento adecuados se encuentran adentro de su lavaplatos.

Registre la fecha de compra, el modelo y el número de serie en los espacios provistos abajo. El número de modelo y de serie se encuentran ubicados en el lado izquierdo de la tina.

Fecha de Compra \_\_\_\_\_

Número de Modelo \_\_\_\_\_

Número de Serie \_\_\_\_\_

**IMPORTANTE:** Conserve esta guía y el recibo de compra en un lugar seguro para referencia en el futuro. Se necesita el comprobante con la fecha original de compra para el servicio de garantía.

**⚠ ADVERTENCIA:** Consulte con el instalador para asegurarse de que la unidad esté conectada a tierra correctamente para evitar posibles descargas eléctricas. Asegúrese de leer las Instrucciones Importantes de Seguridad personal antes de comenzar a usar la lavaplatos.

Si tiene preguntas, comuníquese (incluya el número de modelo y su número telefónico) por escrito o por teléfono a:

Maytag Appliances Sales Company

Atención: CAIR® Center

P.O. Box 2370

Cleveland, TN 37320-2370

1-800-688-9900 EE.UU.

1-800-688-2002 CANADÁ

(de lunes a viernes; de 8 am a 8 pm hora del Este)

Internet: <http://www.maytag.com>

## Instrucciones Importantes de Seguridad

Los productos con un sello (UL) están clasificados por Underwriter's Laboratories, Inc., los que tienen una etiqueta CSA están clasificados por Canadian Standards Association. Sin embargo, al igual que con cualquier otro equipo que usa electricidad y piezas movibles, siempre existe un riesgo potencial.

**⚠ ADVERTENCIA:** Cuando use la lavaplatos, siga las precauciones básicas, incluyendo las siguientes:

1. Lea todas las instrucciones de seguridad antes de usar la lavaplatos.
2. Use la lavaplatos sólo para lo que fue diseñada.
3. Desconecte la energía eléctrica antes de prestarle servicio.
4. Para evitar riesgos de descargas eléctricas, los lados y la parte posterior deben estar encerradas y los paneles delanteros deben estar sujetos antes de aplicar la energía eléctrica a la lavaplatos. Consulte las instrucciones de instalación para ver los procedimientos de conexión a tierra adecuados.
5. Conéctela a un circuito de suministro de energía con el régimen correcto, debidamente protegido y del tamaño adecuado para evitar sobrecargas eléctricas.
6. Nunca se debe permitir que los niños operen, o jueguen dentro, con o alrededor de esta lavaplatos.
7. Para reducir el riesgo de lesiones cuando cargue artículos para lavar, los artículos filosos o puntiagudos deben colocarse con los mangos hacia arriba. También, cargue los artículos filosos de modo que no dañen el sello de la puerta.

8. No toque el elemento calentador que se encuentra en la parte inferior de la tina durante el ciclo ni cuando se termine, ya que estará caliente.
9. Use solamente detergentes y aditivos de enjuague diseñados para una lavaplatos automática. Nunca use jabón, detergente de ropa o detergente para lavado a mano en la lavaplatos. Mantenga estos productos fuera del alcance de los niños.
10. No se sienta, se pare, ni maltrate la puerta ni las rejillas de la lavaplatos.
11. Bajo ciertas condiciones, se puede producir gas hidrógeno en un sistema de agua caliente que no se haya usado en dos semanas o más. **El gas hidrógeno es explosivo.** Si el sistema de agua caliente no se ha usado por un período de tiempo así de largo, abra todas las llaves de agua caliente y deje que el agua fluya por cada una por varios minutos. Esto liberará el gas hidrógeno que se haya acumulado. Ya que el gas es inflamable no fume ni use una llama abierta durante este proceso.
12. No lave artículos de plástico a menos que estén marcados "seguro para lavar en lavaplatos" o un equivalente. Para los artículos de plástico sin marcar, consulte las recomendaciones del fabricante.
13. No altere los controles.
14. A fin de evitar atrapamiento y riesgo de asfixia accidental de un niño, siempre retire la puerta del compartimiento del lavado cuando ya no use más un lavavajillas antiguo o lo descarte.
15. Tenga cuidado cuando descargue la lavaplatos. Los platos estarán calientes si se descarga un poco después de terminar el ciclo.

**Conserve estas Instrucciones**



# Cargado de la Lavaplatos.....

## Antes de Comenzar

- **No enjuague previamente. Sencillamente retire todos los huesos o partículas de alimentos grandes.**
- Si la lavaplatos está conectada a un triturador de desperdicios, asegúrese de que el triturador esté vacío antes de arrancar la lavaplatos.
- **Limpie los residuos de alimentos con base de jito-mate** (vea la página 32).

- **Elimine los alimentos** (tales como mostaza, mayonesa, jugo de limón, vinagre, sal o aderezos) **de los cubiertos de acero inoxidable tan pronto como sea posible.** Estos alimentos pueden causar oxidación y picaduras si se dejan que permanezcan en contacto con la superficie durante un período de tiempo prolongado.

## Recomendaciones Generales

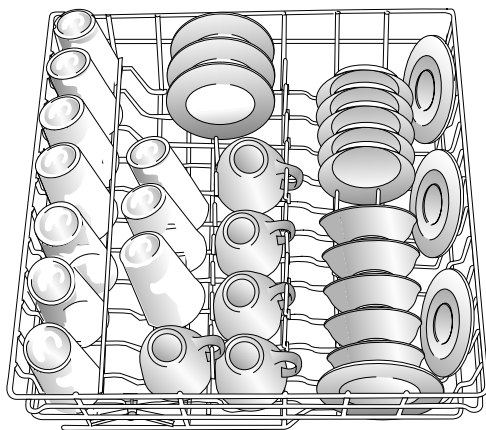
- **Coloque todos los artículos en las parrillas de manera que queden separados y orientados hacia el centro.**
- Puede centrar los artículos detrás de un solo diente o cargarlos en ángulo para maximizar el espacio.

- Cargue los artículos de manera que no descansen sobre la parte superior de la torre de lavado.
- Evite bloquear los brazos rociadores inferiores y superiores no dejando que los artículos se extiendan más allá de las parrillas.

## Cargas Recomendados (las características de la parrilla varían según el modelo)

Para obtener los mejores resultados de limpieza, siga las pautas a continuación para determinar el mejor arreglo de sus artículos.

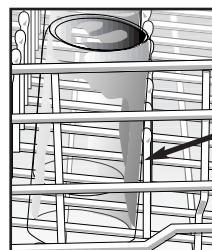
### Parrilla Superior



**Cubiertos para 10 Personas**

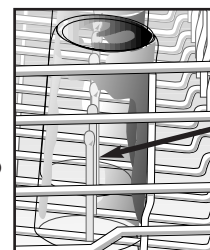
Los vasos, tazas, copas, artículos de plástico ligero, platos pequeños, tazones, sartenes, utensilios con mango largo, etc. pueden cargarse en esta parrilla. **No cargue vasos sobre los dientes.**

**Correcto**

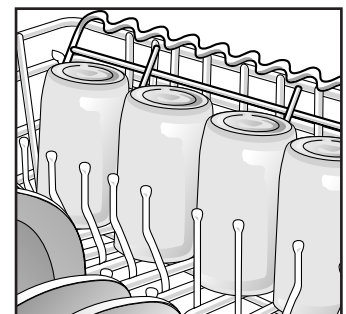
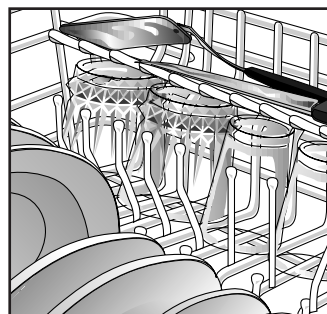


**Diente hacia adentro**

**Incorrecto**



**Diente hacia afuera**



La parrilla apilable (Stack-Rack) (modelos selectos) que se encuentra en el lado derecho de la parrilla superior se dobla hacia arriba o hacia abajo. Dóblela hacia abajo para colocar cuchillos con mango largo, espátulas y cucharas o artículos cortos como tazas o vasos de jugo. Dóblela hacia arriba para artículos altos como vasos, tazones, platos, etc.

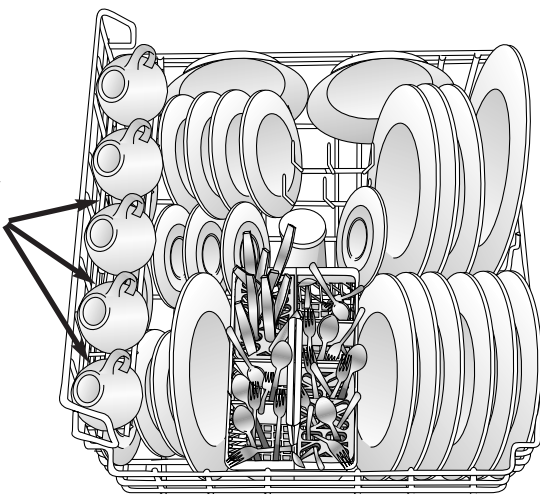


# Cargado de la Lavaplatos (continuará).....

## Parrilla Inferior

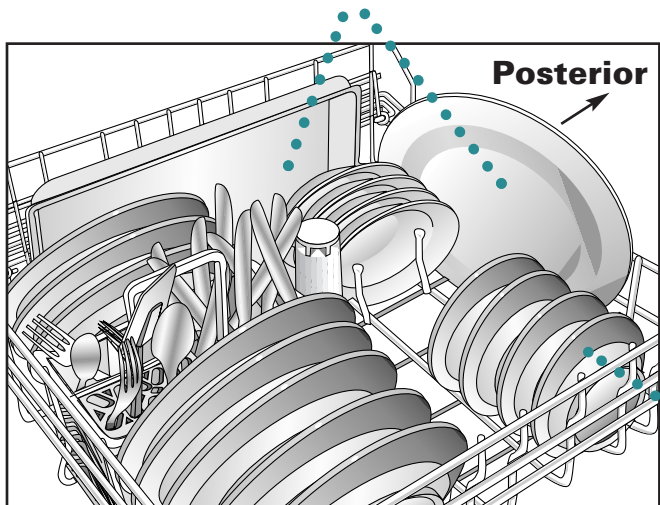
En esta parrilla se puede cargar una variedad de artículos grandes tales como platos grandes, tazones para batir, ollas, sartenes y refractarios.

Se cargan tres platos en la parrilla que se encuentra debajo de la repisa de la parrilla apilable (Stack-Rack)

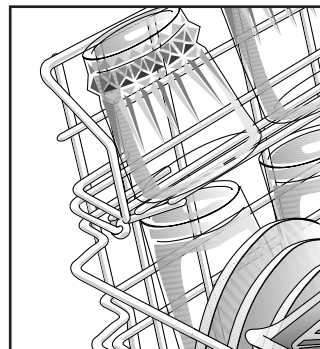
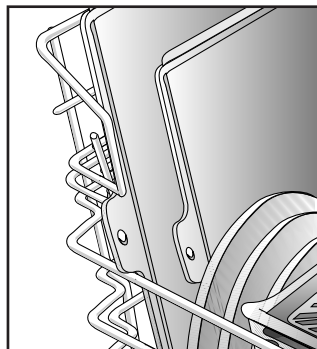


**Cubiertos para 10 Personas**

Los artículos altos como moldes para hornear y platones grandes se pueden colocar en el lado izquierdo o en la parte posterior de esta parrilla.

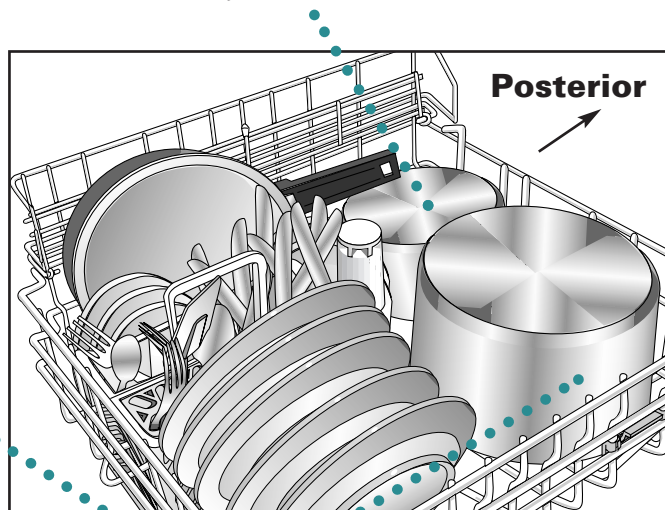


**Nota:** Coloque las superficies sucias hacia el centro de la lavaplatos.



Con la repisa de la parrilla apilable (Stack-Rack) (modelos selectos) elevada, pueden colocarse artículos delgados tales como hojas de lámina para galletas o de pizzas a lo largo del lado izquierdo. Con la parrilla hacia abajo, pueden cargarse dos niveles de vasos y tazas.

El acomodar las agujas Fold-Away™ (modelos selectos) horizontalmente en la esquina posterior ofrece un conveniente espacio de carga para artículos grandes y voluminosos como ollas y cacerolas o tazones de mezclar.



Los dientes convertibles de la parte posterior de la esquina derecha pueden ajustarse para proporcionar un espaciado estrecho para cargar platos o un espaciado amplio para cargar tazones hondos, ollas o sartenes. Voltee los dientes hacia arriba para tener un espaciado estrecho o hacia abajo para tener un espaciado amplio.

## Canasta de Utensilios Split & Fit™

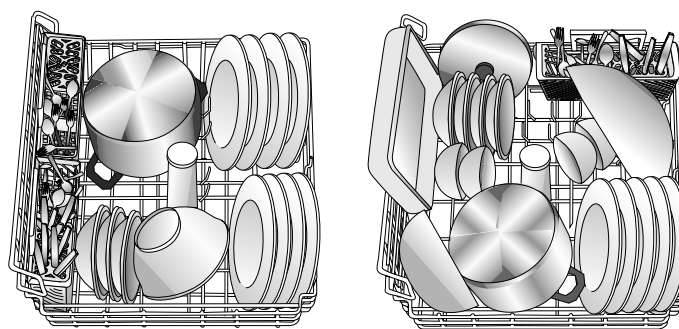
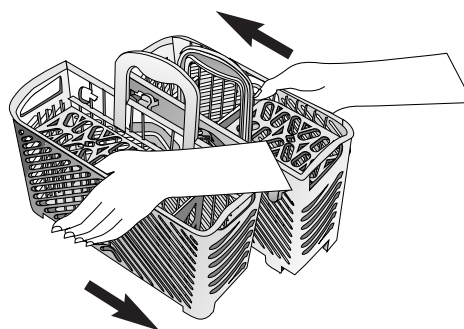
La canasta de cubiertos dividida puede separarse y colocarse en diferentes ubicaciones de la parrilla inferior. Sostenga firmemente la canasta a lo largo de los lados. Siga las flechas de orientación de desbloqueo impresas en la canasta y deslice hacia afuera la canasta hasta que se divida en dos. Cargue los cubiertos y utensilios en ambas secciones o solamente en una, dependiendo de la carga.

Para obtener los mejores resultados de limpieza, evite que los artículos queden empalmados colocando algunos artículos en la canasta con los mangos hacia arriba y otros con los mangos hacia abajo. Cargue los cuchillos con los mangos hacia arriba a través de los orificios de las secciones cubiertas embisagradas (cuando estén cerradas).

Asegúrese de que los artículos delgados puntiagudos no se extiendan a través de la canasta. Esto podría bloquear el brazo de lavado inferior.

Los artículos pequeños, ligeros tales como cucharas de bebé y tazas de medir de plástico deben colocarse en las secciones cubiertas embisagradas.

Los utensilios de mangos largos, tales como espátulas y cucharas de madera, deben ser colocados en las secciones que están más alejadas de la puerta.



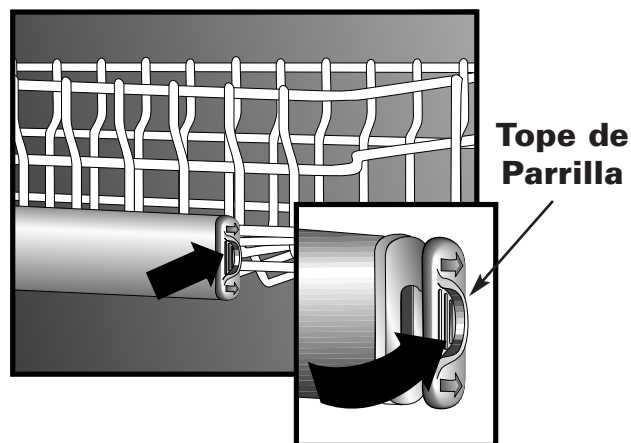
## Remoción de la Parrilla Superior

La parrilla superior puede quitarse cuando se necesite cargar artículos altos o demasiado grandes en la parrilla inferior.

**Nota:** Evite colocar artículos que descansen sobre el centro de la torre de lavado.

### Para Quitarla:

- Saque la tercera parte o la mitad de la parrilla superior.
- Quite el tope de plástico de la parrilla en cada extremo del carril. Para quitar cada uno de los toques de plástico, empuje hacia adentro (en dirección de la parrilla) en el área acanalada del tope de la parrilla. El tope de la parrilla se abrirá y podrá sacarlo fácilmente jalándolo hacia afuera en forma recta. Tenga cuidado de sostener el carril mientras saca los toques de la parrilla.
- Saque completamente la parrilla del carril y retírela de la lavaplatos.
- Realice el procedimiento anterior en orden inverso para volver a colocar la parrilla superior en la lavaplatos.





# Información Esencial Sobre Lavado de Platos.....

## Agua Caliente

Para lograr los resultados de limpieza y secado óptimos, es necesaria el agua caliente. La temperatura del agua de entrada debe ser de 120-140° F (49-60° C) para que el detergente se active correctamente y disuelva los residuos de alimentos grasosos.

Para revisar la temperatura del agua de entrada, abra la llave del agua caliente que esté más cercana a la lavaplatos y

déjela correr en un vaso en el fregadero. Coloque un termómetro de dulces en el vaso y revise la temperatura una vez que haya dejado de subir. Si la temperatura es menor de 120° F (49° C), pida a una persona calificada que eleve el ajuste del termostato del calentador de agua.

Antes de arrancar la lavaplatos, abra la llave del agua caliente y déjela correr hasta que el agua esté caliente. Esto garantizará que el primer llenado de agua esté caliente.

## Detergente

Use un detergente diseñado específicamente para lavaplatos automáticas. Cerciórese de que esté fresco y almacenado en un lugar fresco y seco (no debajo del fregadero).

### Cantidad Recomendada

El usar muy poco detergente dará por resultado una limpieza deficiente, una película de agua dura o de manchas y mal secado. El usar mucho detergente puede dar por resultado un manchado u opacado permanente.

Para residuos de alimentos que requieren los ciclos **Heavy (pesado)** o **Normal** y/o cuando hay condiciones de agua dura\*, llene completamente ambos lados de la taza de detergente Main Wash (de lavado principal). Para los residuos de alimentos que requieran el ciclo **Light (ligero)** y/o cuando exista una condición de agua suave\*, llene solamente el lado Light (ligero) de la taza de detergente.

No use detergente con **Rinse Only (solamente enjuague)**. Deje la tapa de la taza de detergente abierta cuando use **Rinse Only (solamente enjuague)**.

En condiciones en donde existe agua extremadamente dura (15 granos por galón o más dura\*), es difícil obtener buenos resultados con cualquier lavaplatos. Podría ser necesario usar un suavizante mecánico para mejorar la calidad del agua, la efectividad del detergente, y para proteger las piezas de la lavaplatos del daño que el agua dura puede causar.

### Dureza del Agua\*

Suave (0 a 3 gpg) Media (4 a 9 gpg) Dura (10 a 12 gpg)

\*El departamento local de servicios públicos de agua o el servicio de extensión de la universidad estatal pueden decirle el grado de dureza de agua en su región.

## Complemento Líquido de Enjuague

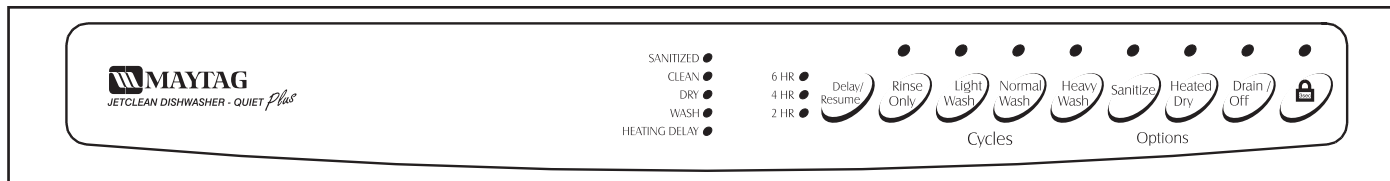
El uso regular de un complemento líquido de enjuague mejora el secado, reduce las manchas y la película, y reduce la humedad que queda en el interior de la lavaplatos.

El surtidor automático del complemento líquido de enjuague se encuentra ubicado junto a las tazas de detergente. La ventanilla adjunta a la tapa del surtidor indica cuándo es necesario rellenar el depósito del complemento líquido de enjuague. Cuando el nivel de complemento líquido de enjuague está por debajo de las marcas indicadoras y la ventanilla está casi limpia, es hora de rellenar el surtidor. **Revise mensualmente el surtidor.**

Para añadirle auxiliar de enjuague al depósito, gire la tapa en sentido contrario al de las manecillas del reloj para abrirla. Quite la tapa y vierta el complemento líquido de enjuague líquido en el orificio. La cantidad de auxiliar que se surte durante el ciclo puede ajustarse si se mueve la palanca que se encuentra adentro del área del depósito. Use el ajuste "1" para agua suave, y hasta el ajuste "MAX" para el agua dura. Coloque la palanca entre estas dos cantidades según sea necesario. Vuelva a colocar la tapa y gírela en el sentido de las manecillas del reloj para cerrarla.



# Un Vistazo a los Controles.....



El estilo del panel controles puedes varía según el modelo.

## Ciclo

CICLO	SUCESIÓN	USO DEL AGUA
<b>Heavy Wash (Carga Pesada)</b> se utiliza para cargas de vajijas demasiado sucias.	Lavado Previo Enjuagado Previo Lavado Principal Enjuagado Previo Enjuague de Temperatura Alta Secado	9.8 galones (37 litros)
<b>Normal Wash (Carga Normal)</b> se utiliza para cargas que contienen vajijas con cantidades normales de suciedad.	Lavado Previo Lavado Principal Enjuagado Previo Enjuague de Temperatura Alta Secado	7.8 galones (29.52 litros)
<b>Light Wash (Carga Ligera)</b> se utiliza para lavar cargas ligeramente sucias.	Lavado Principal Enjuagado Previo Enjuague de Temperatura Alta Secado	5.8 galones (21.95 litros)
<b>Rinse Only (Sólo Enjuague)</b> se utiliza para enjuagar vajijas que tendrán que esperar hasta que se llene la lavaplatos. Esto ayuda a reducir los malos olores potenciales.	Enjuagado	1.9 galones (7.19 litros)

## Opciones

Selecciones **Sanitize (esterilizar)** para limpiar y esterilizar la vajilla con cualquiera de las opciones de ciclos (a excepción de **Rinse Only [sólo enjuague]**).

Debido a que esta opción añade calor y revisiones a la temperatura del agua al lavado principal y del enjuague final, también debe seleccionarse para realizar los resultados de lavado y secado en todo tipo de cargas.

Seleccione la opción **Heated Dry (Secado Caliente)** para encender el elemento calentador durante el secado para obtener mejores resultados de secado. Cuando no se selecciona la opción **Heated Dry (Secado Caliente)**, tal vez sea necesario secar con una toalla algunos artículos de plástico y teflón con esta selección y puede ser que se note más humedad adherida en el interior de la lavaplatos. Con cualquiera de las dos opciones de secado, es normal observar vapor saliendo de la ventila de la puerta.

Para drenar la lavaplatos y apagarla después, oprima **Drain/Off (Drenado/Apagar)** una vez. Oprima **Drain/Off (Drenado/Apagar)** dos veces para apagar la lavaplatos sin drenarla.

## Luces Indicadoras

La luz de **SANTIZED (esterilizado)** se ilumina al final de los ciclos **Light, Normal** o **Heavy Wash (Ligero, normal y lavado pesado)** cuando se elige la opción **Sanitize (esterilizado)** y se cumplen las condiciones para lograr la esterilización.

**Nota:** Cuando se selecciona **Sanitize (Esterilizar)**, se vigilan los ciclos para garantizar la esterilización. La interrupción de este ciclo, la interrupción de la energía eléctrica o la temperatura de agua anormalmente baja impedirá que el protocolo de esterilización sea satisfecho y la luz **SANTIZED (ESTERILIZAR)** no se iluminará al final del ciclo.

La luz **CLEAN (LIMPIEZA)** se ilumina al final del ciclo y permanece iluminada hasta que la puerta ha estado abierta continuamente durante 30 segundos.

La luz **DRY (SECADO)** se ilumina durante todo el ciclo de secado y se apaga al concluir el ciclo.

La luz **WASH (LAVADO)** se ilumina durante todas las porciones del lavado y enjuagado del ciclo.

La luz **HEATING DELAY (DIFERIR CALENTAMIENTO)** se ilumina cuando el ciclo se está prolongando para calentar el agua.

## Delay/Resume (Diferir/Reanudar)

La opción **Delay/Resume (Diferir/Reanudar)** puede utilizarse para iniciar automáticamente el ciclo más tarde, durante las horas en que las tarifas de electricidad sean más económicas o para reducir la acumulación de calor en la casa durante el día.

### Para Programar la Función Diferida:

- 1** Seleccione el ciclo y las opciones apropiadas de la carga.
- 2** Oprima la tecla **Delay/Resume (Diferir/Reanudar)** hasta que aparezca la cantidad de tiempo diferido deseada (2,4 o 6 horas). El tiempo diferido comenzará a contar hacia atrás cuando se suelte la tecla.
- 3** La luz indicadora **DELAY HOURS (HORAS DIFERIDAS)** permanecerá iluminada hasta que se haya contado totalmente el tiempo diferido.
- 4** El ciclo comenzará automáticamente tan pronto como concluya el tiempo diferido.

**Nota:** Si se elige la opción **Delay/Resume (Diferir/Reanudar)** sin seleccionar un ciclo y/o una opción, la lavaplatos seleccionará el último ciclo que se utilizó (no recordará el ciclo **Rinse Only, Sólo Enjuague**).

### Para Cancelar una Diferir:

Espere por lo menos 2 segundos y oprima el botón **Delay/Resume (Diferir/Reanudar)** nuevamente. La luz indicadora se apagará y el ciclo comenzará inmediatamente.


# Un Vistazo a los Controles (continuará) .....

## Opción Bloquear Control


Las teclas digitales de control pueden bloquearse para evitar un uso no deseado. Si esta característica se activa entre ciclos, la lavaplatos no podrá funcionar hasta que se desbloqueen los controles. Si se desea, puede bloquear los controles después de que haya comenzado un ciclo o la función diferida.

**Nota:** Esta opción no bloquea la puerta, solamente los controles de la lavaplatos.

## Para Ajustar la Opción Control Lock (Bloquear Control):

- 1 Oprima la tecla  durante tres segundos.
- 2 Cuando se bloqueen los controles, se iluminará una luz indicadora que se encuentra ubicada sobre la tecla.

## Para Cancelar la Opción Control Lock (Bloquear Control):

- 1 Oprima la tecla  durante tres segundos.
- 2 La luz indicadora se apagará.

**Nota:** Si se oprime la tecla de un ciclo o de una opción después de que se hayan bloqueado los controles, la luz indicadora que se encuentra ubicada sobre la tecla **Control Lock (Bloquear Control)** destellará cinco veces.



# Consejos de Operación .....

## Para Arrancar la Lavaplatos

- 1 Después de cargar la lavaplatos y de añadir el detergente, cierre la lavaplatos oprimiendo la puerta hasta que la traba haga clic.
- 2 Para arrancar la lavaplatos, oprima firmemente las teclas del ciclo y de las opciones deseadas (después de una pausa, comenzará el llenado). Para evitar que haya cambios de ciclo o de opciones no planeadas, estas selecciones se "bloquean" después de un minuto.
- 3 Se iluminarán las luces indicadoras del ciclo y opciones seleccionadas.
- 4 Para cancelar una opción, oprima la tecla nuevamente. Para cancelar un ciclo, oprima la tecla **Drain/Off (Drenado/Apagar)**.

**Nota:** Si se oprime la tecla de un ciclo o de una opción después de que las selecciones se han "bloqueado", la luz indicadora que se encuentra ubicada sobre la tecla **Control Lock (Bloquear Control)** destellará cinco veces.

## Para Añadir un Artículo Olvidado

Para obtener los mejores resultados de limpieza, se recomienda añadir los artículos olvidados al principio del ciclo.

- 1 Oprima la tecla **Delay/Resume (Diferir/Reanudar)** o destrabe la puerta.
- 2 Espere a que el agua deje de circular.
- 3 Abra la puerta y añada el artículo.
- 4 Cierre y trabe la puerta.
  - Si había oprimido la tecla **Delay/Resume (Diferir/Reanudar)**, oprímala de nuevo para volver a arrancar la lavaplatos.
- 5 Después de 5 segundos, el ciclo se reanuda automáticamente en el punto en el que se interrumpió.

**Nota:** No se recomienda prolongar la interrupción del ciclo de lavado.





# Artículos que Requieren un Cuidado Especial

La mayoría de las vajillas, las baterías de cocina y de los cubiertos pueden lavarse de manera segura en su lavaplatos. Si tiene dudas respecto a algún artículo, consulte al fabricante de dicho artículo.

Material	Seguridad en lavaplatos	Información Especial
Aluminio	Si, excepto el aluminio anodizado.	La alta temperatura y los detergentes pueden afectar el acabado.
Hierro Fundido	No	Se le caerá el curado y se oxidará.
Porcelana y Barro	No, si la porcelana es antigua o pintada a mano.	Siempre revise las recomendaciones del fabricante antes de lavar. Los patrones antiguos, pintados a mano o por encima del barniz pueden despin-tarse. La hoja de oro puede descolorarse.
Cristal	No, si es cristal antiguo o deli-cado y ligero.	Siempre revise las recomendaciones del fabricante antes de lavar. Algunos tipos de cristal de plomo pueden grabarse después de lavadas repetidas.
Filtros para Calentadora	No se recomienda usar filtros para calentador.	Pueden dejar depósitos de color oscuro o manchas en el interior de la lavaplatos.
Vidrio	Si	El vidrio de criolita se volverá amarillo con lavadas en lavaplatos repetidamente.
Vajillas Encha-padas en oro	No	Se descolorará.
Peltre, Estaño	No	
Plásticos	Si, en la parrilla superior.	Siempre consulte las recomendaciones del fabricante antes de lavar. Los plásticos varían en la capacidad de resistencia a temperaturas altas de agua y a los detergentes. Los artículos de plástico desechables no son seguros para lavarse en la lavaplatos por esta razón.
Acero Inoxidable	Si	Use un ciclo de Rinse Only (Sólo Enjuague) (modelos selectos) si no va a lavarse inmediatamente. El contacto prolongado con alimentos que contienen sal, vinagre, productos lácteos o jugos de frutas pueden dañar el acabado.
Plata de ley y Acero Plateado	No, si tiene "manchador" comercial.	Siempre revise las recomendaciones del fabricante antes de lavar. Use el ciclo Rinse Only (Sólo Enjuague) (modelos selectos) si no se lavará inmedia-tamente. El contacto prolongado con alimentos que contienen sal, ácidos o sulfuro (huevos, mayonesa y mariscos) puede dañar el acabado. El man-chador comercial puede disolverse con el detergente.
Artículos de Madera	No	La madera se puede deformar, quebrar o descolorar.



## Cuidado y Limpieza

### Interior

El interior de la lavaplatos es normalmente autolimpiable. Usted debería revisar periódicamente el fondo de la tina de la lavaplatos para ver si las partículas grandes se atoraron en la porción del colador del módulo.

Usted debería limpiar el borde del recubrimiento interior de la puerta para quitar cualquier salpicadura que haya ocurrido durante el cargado.

Se sabe que el color de las suciedades de algunos alimentos con tomate algunas veces se adhiere en las tinas de las lavaplatos modernas y causa decoloración. Para ayudar a evitar que esto suceda, **cuando lave una carga con vasijas sucias con salsa de tomate:**

- Retire el exceso de los restos de alimentos con tomate de las vasijas, antes de cargarlas. Pero no preenjuague las vasijas.
- Arranque el ciclo **Heavy Wash (Carga Pesada)**.

### Exterior

El frente de la lavaplatos puede limpiarse con un paño húmedo suave y limpiador líquido de rocío. No use polvos abrasivos o almohadillas limpiadoras.

### Cuidado y limpieza del acero inoxidable

**No use** productos limpiadores que contengan blanqueador de cloro. **Siempre** limpie **en el sentido** del grano del acero inoxidable. **Para la limpieza diaria y suciedades leves**, use un paño suave o una esponja y uno de los siguientes: detergente

suave y agua, una solución de vinagre blanco y agua, limpiador Formula 409 Glass and Surface Cleaner\* o un limpiador para superficies múltiples similar. Enjuáguelo y séquelo. Para pulirlo y evitar huellas dactilares, enseguida use Stainless Steel Magic Spray\* (pieza no. 20000008)\*\*.

**Para suciedad moderada a suciedad pesada**, limpie con BonAmi\*, usando una esponja o paño suave. Enjuáguela y séquela. Para devolverle el brillo y quitarle las rayas, use a continuación Stainless Steel Magic Spray\*.

**Para decoloraciones**, limpie con Cameo Stainless Steel Cleaner\*, usando una esponja húmeda o un paño suave. Enjuáguela inmediatamente y séquela. Para devolverle el brillo y quitarle las rayas, use enseguida Stainless Steel Magic Spray\*.

\*Los nombres de los productos son la marca comercial del fabricante respectivo. \*\* Llame al 1-800-688-8408 para hacer el pedido.

### Almacenaje/Mudanza

Llene ambas tazas de detergente con un detergente de lavaplatos con fragancia fresca o con bicarbonato de sodio y seleccione el ciclo **Normal Wash (Carga Normal)**. Permita que la lavaplatos concluya el ciclo. A continuación cierre el suministro de agua y drene la lavaplatos. Para drenarla, oprima la tecla **Drain/Off (Drenado/Apagar)** una vez. Haga que el drenado funcione dos veces para asegurarse de que se salga toda el agua. Finalmente, desconecte el suministro eléctrico y abra la puerta.



## Antes de Llamar.....

Revise estas puntos por ayuda ahorrar tiempo y dinero:

¿La lavaplatos no se llena?

- Verifique que la puerta esté firmemente enganchada.
- Verifique que el agua esté abierta.
- Revise que la perilla o el botón estén seleccionados apropiadamente para un ciclo.
- De tiempo a los modelos de selección para que drenen y hagan una pausa antes de llenarse.
- Revise el interruptor automático o la caja de fusibles de su casa.
- Revise que la manguera de entrada no esté torcida.
- Revise la entrada de la válvula de agua por posibles sedimentos y límpiela si es necesario.

¿La lavadora no dreña/Agua en el fondo de la pila?

- Si está conectada a un triturador de basura, verifique que el expulsor se haya quitado de la entrada del triturador.
- Verifique que la manguera de drenaje esté elevada cuando menos 32" (81 cm) de modo que el agua no se pueda devolver a la tina.
- Revise posibles obstrucciones de alimentos en la alcantarilla o en el triturador.
- Revise que la manguera de drenaje no esté torcida.
- Revise el interruptor automático o la caja de fusibles de su casa.
- Revise que el ciclo haya terminado.

¿La taza de detergente no está vacía?

- Verifique que el ciclo terminó.
- Asegúrese de que el surtidor no esté bloqueado.
- Use detergente nuevo almacenado en un lugar seco y fresco.

¿La lavaplatos parece ruidosa?

- Un silbido de la válvula de agua durante el llenado es normal.
- Los ruidos de circulación de agua son normales.
- Un ruido de tictac es un sonido normal del cronómetro.
- Un ruido de trueno puede ser un brazo de lavado golpeando un artículo que se extiende fuera de las parrillas.
- Los ruidos golpeando o moliendo se pueden escuchar durante el drenado ya que el triturador interno de alimentos corta los artículos duros como semillas de frutas, nueces, etc.
- Un murmullo durante el drenado es normal.
- Un ruido de encajado a presión es la tapa de la taza de detergente pegándole al recubrimiento de la puerta cuando se abre la puerta de la lavaplatos al final del ciclo. Esto es normal.
- La instalación apropiada tiene que ver con el nivel de ruido.

¿El ciclo se tarda mucho? (La luz de Heating Delay permanece encendida)

- La opción Sanitize (Esterilizar) ha sido seleccionada y el ciclo se prolonga si la temperatura del agua está baja.
- Revise para ver si la temperatura del agua de entrada está entre 120-140° F (49-60° C).

¿La lavaplatos tiene mal olor?

- Arranque el ciclo Rinse Only (Sólo Enjuague) para las vasijas que están adentro de la lavaplatos.
- Muchas lavaplatos tienen un olor a "nuevo" al principio. Este olor se disipará con el uso.
- Por lo general, el olor a sustancias químicas proviene del blanqueador con cloro de los detergentes. Utilice otra marca.
- Es posible que la lavaplatos no se esté drenando correctamente (vea la sección "No se dreña").
- Para eliminar los olores fuertes, utilice bicarbonato de sodio en ambos lados de la taza de detergente. Seleccione el ciclo Light Wash (Carga Ligera) y deje que el agua circule durante más o menos 10 minutos. Interrumpa el ciclo destrabando la puerta y deje que el bicarbonato de sodio permanezca toda la noche. Vuelva a arrancar la lavaplatos trabando la puerta y permitiendo que concluya el ciclo. Otra posible solución es utilizar un producto limpiador de lavaplatos tal como Jet-Dry Dishwasher Cleaner\*.

¿La lavaplatos gotea?

- Compruebe que la lavaplatos esté nivelada (consulte las instrucciones de instalación).
- La espuma puede causar que la lavaplatos se desborde. Mida cuidadosamente la cantidad de detergente y utilice solamente detergentes diseñados específicamente para usarse en lavaplatos. Se necesita menos detergente con el agua blanda. Utilice otra marca si se sigue formando mucha espuma.
- Siga al pie de la letra las instrucciones sobre cómo añadir un artículo olvidado (página 31).
- Cerciórese de que la tapa del aditivo de enjuague esté unida firmemente y que el producto no esté goteando.

¿La luz de SANITIZED (Esterilizar) no se ilumina al final del ciclo?

- No se seleccionó Sanitize (Esterilizar).
- La esterilización sólo se puede lograr con los ciclos Heavy (Carga Pesada), Light (Ligero), o Normal.
- La temperatura del agua entrando está muy baja, e interfiere con la capacidad de la lavaplatos de lograr calentar el agua adecuadamente en el período de tiempo establecido.

**¿En las vasijas quedan restos de suciedad de alimentos?**

- Verifique la temperatura del agua (Vea la página 29).
- Deje correr el agua caliente en el fregadero antes de encender la lavaplatos.
- Seleccione Sanitize (Esterilizar).
- Revise la dureza del agua y ajuste la cantidad de detergente según sea necesario. (Vea la página 29).
- Use detergente nuevo almacenado en un lugar seco y fresco.
- Seleccione el ciclo apropiado para el nivel de suciedad.
- Cargue los artículos de modo que no bloqueen los brazos de lavado o la torre del centro. (Vea las páginas 26 y 27).
- Cargue la canasta de utensilios con algunos mangos hacia arriba y otros hacia abajo para evitar que se atoren.
- No coloque los vasos sobre las agujas.
- Antes de cargar la lavaplatos, elimine los alimentos quemados y los residuos de almidón de los utensilios que se utilizaron con pastas, arroz y avena. Estos residuos requieren más energía que el resto de la carga para limpiarse.

**¿Están los vasos nublados o manchados?**

- Siempre utilice un aditivo de enjuague.
- Revise la temperatura del agua, el agua de entrada debe estar a una temperatura de 120-140° F (49-60° C).
- Verifique que el empañamiento pueda eliminarse remojando el artículo en vinagre blanco durante aproximadamente 5 minutos. Si se elimina, el problema se debe a la dureza del agua. Ajuste la cantidad de detergente que se está utilizando para igualar la dureza del agua (página 5). Asegúrese de que el detergente sea nuevo, haya estado almacenado correctamente y que sea de buena calidad.
- Si el empañamiento no puede eliminarse es debido a que hay corrosión de la superficie. Esto significa que hay una erosión de la superficie de la cristalería lo que puede resultar del uso de agua demasiado caliente, demasiado detergente o por lavar previamente los artículos (el detergente necesita residuos de alimentos para poder activarse). Si ya hay corrosión de la superficie, significa que la cristalería ya está dañada permanentemente. Para prevenir que haya más corrosión de la superficie, ajuste la cantidad de detergente para igualar la dureza del agua, no lave los artículos previamente y cerciórese de que la temperatura del agua de entrada no sea superior a 120-140° F (49-60° C). Use las opciones de calentamiento del agua sólo cuando la temperatura del agua sea inferior a 120-140° F (49-60° C).

**¿Están los artículos lavados en la lavaplatos o la tina misma manchados o descolorados?**

- Los utensilios o cacerolas de aluminio pueden dejar marcas cuando se talla contra otros artículos, deje un pequeño espacio entre los artículos.
- El hierro en el agua puede dejar una película amarilla, café o anaranjada en las vasijas o en la tina de la lavaplatos. Puede necesitarse un filtro, revise con una compañía de tratamiento de agua.
- Es posible que el color proveniente de los productos con base de jitomate se adhiera a temporalmente a los componentes del interior de la lavaplatos (Vea la página 31). Si se mancha levemente, deje abierta la puerta para que se oxide y pueda eliminarse la mancha. Para eliminar manchas más difíciles, utilice un ácido cítrico que contenga un producto de limpieza de lavaplatos tal como Glisten\*\*. Cambie el detergente de la lavaplatos y asegúrese de utilizar un detergente de lavaplatos que contenga cloro para eliminar mejor las manchas.

**¿Los artículos no están completamente secos? ¿Hay humedad en el interior de la lavaplatos después del ciclo de secado?**

- Asegúrese que seleccionó Heated Dry.
- Se pueden formar gotas de agua en la parte interior de la puerta como parte del proceso de secado.
- Siempre utilice un aditivo de enjuague tal como Jet Dry\* o Cascade Rinse Aid\*.
- Revise la temperatura del agua. (Vea la página 29).
- Seleccione Sanitize (Esterilizar).
- Aumente la cantidad de detergente para ajustar la dureza del agua. (Vea la página 29).
- Cárguela apropiadamente. (Vea las páginas 26 y 27).
- Los artículos de plástico y de teflón son difíciles de secar debido que la superficie porosa tiende a acumular gotas de agua. Puede ser necesario secar estos artículos con una toalla.
- Los vasos de vidrio y las tazas que tienen el fondo cóncavo pueden acumular agua ahí y tal vez sea necesario secarlos con una toalla.

**¿Se despostillaron las vasijas?**

- Cargue las vasijas de acuerdo a las instrucciones de modo que no se golpeen entre sí. (Vea las páginas 26 y 27).
- No se recomienda lavar en la lavaplatos vajillas antiguas de cristal ni de porcelana.
- No cargue los vasos sobre las agujas.
- No la cargue de más.

\* Los nombres de las marcas son las marcas registradas de los fabricantes respectivos.

\*\*Llame al 1-800-688-8408 para hacer el pedido.



# Garantía de la Lavaplatos .....

## Garantía Completa de un Año

Durante UN (1) año a partir de la fecha original de compra al por menor, se reemplazarán o repararán sin cargo alguno por las piezas que fallen debido al uso doméstico normal.

## Garantía Limitada del Segundo Año

Después del primer año a partir de la fecha original de compra al por menor, se reemplazarán o repararán sin cargo alguno las piezas que fallen debido al uso doméstico normal por las piezas mismas. El propietario deberá pagar todos los demás gastos inclusive la mano de obra, el millaje (kilometraje) y la transportación.

## Garantía Limitada del Segundo al Quinto Año

Después del segundo año a partir de la fecha original de compra al por menor, hasta el quinto año, todos los siguientes componentes que fallen debido al uso doméstico normal se repararán o reemplazarán sin cargo alguno por las piezas mismas. El propietario deberá pagar todos los demás gastos inclusive la mano de obra, millaje (kilometraje) y transportación. Estos componentes incluyen:

Las piezas del sistema Jetclean® de todos los modelos, incluso el conjunto completo del módulo de potencia, el sensor de suciedad, la boquilla rociadora central, los brazos rociadores, la manguera del brazo de lavado superior y el motor.

Para los modelos con Control Digital Computarizado solamente – el microprocesador y los conjuntos del teclado digital.

Todos los modelos contra óxido, incluso el gabinete exterior y los paneles delanteros de los modelos convertibles, los paneles delanteros exteriores y los paneles laterales de accesorio de los modelos integrados, y las parrillas recubiertas DuraGuard® (disponibles en modelos selectos).

## Garantía Completa de po Vida

A partir de la fecha de compra original durante toda la vida del producto, si la tina desarrollara una gotera de agua con el uso doméstico normal, la misma lavaplatos será reemplazada **SIN CARGO ALGUNO**.

A partir de la fecha de compra original durante toda la vida del producto, si el recubrimiento de la puerta desarrollara una gotera de agua con el uso doméstico normal, la reparación o el reemplazo del recubrimiento de la puerta se realizará **SIN CARGO ALGUNO**.

**OBSERVACIÓN:** Estas garantías completas corresponden sólo cuando la lavaplatos esté ubicada en los EE.UU. o Canadá. Las lavaplatos ubicadas en cualquier otro lugar estarán cubiertas por las garantías limitadas solamente, incluso las piezas que fallen durante el primer año.

## Residentes de Canadá

Estas garantías cubren solamente las lavaplatos instaladas en Canadá que han sido listadas con la Asociación de Normas Canadienses (Canadian Standards Association) a menos que las lavaplatos se lleven a Canadá debido a una transferencia de residencia de EE.UU. a Canadá.

Las garantías específicas expresadas anteriormente son las Únicas que ofrece el fabricante. Esta garantía le otorga derechos legales específicos, y es posible que también tenga otros derechos que varíen entre estados.

## Para Recibir Servicio de Garantía

Para localizar una compañía de servicio autorizada en su localidad comuníquese con el distribuidor Maytag en donde compró su aparato; o llame a Maytag Appliances Sales Company, Ayuda al Cliente de Maytag al número listado más adelante. En caso de no recibir un servicio de garantía satisfactorio, sírvase llamas o escribir a:

Maytag Appliances Sales Company

Attn: CAIR® Center

P.O. Box 2370

Cleveland, TN 37320-2370

EE.UU 1-800-688-9900

Canadá 1-800-688-2002

**NOTA:** Cuando escriba acerca un problema de servicio no resuelto, sírvase incluir la siguiente información:

- (a) Su nombre, dirección y número telefónico
- (b) Número de modelo y número de serie (ubicados en la esquina superior izquierda de la abertura de la tina) de su aparato
- (c) Nombre y dirección de su distribuidor y la fecha cuando compró el aparato
- (d) Una descripción clara del problema que tiene
- (e) Dureza del agua, marca de detergente y cantidad, temperatura del agua y el ciclo usado
- (f) Prueba de compra (el recibo de compra)

## Lo que no está cubierto por éstas garantías:

1. Las condiciones o daños que sean causados por uno de los puntos siguientes:
  - a. La instalación, el transporte o el mantenimiento incorrectos.
  - b. Las reparaciones, modificaciones, alteraciones o ajustes no autorizados por el fabricante o un agente de servicio autorizado.
  - c. El mal uso, maltrato, accidentes o uso irresponsable.
  - d. Suministro, voltaje o corriente de energía eléctrica incorrectas.
  - e. El ajuste incorrecto de algún control.
2. Las garantías quedan anuladas si el número original de serie se quita, altera o no se puede determinar leyéndolo.

3. Los productos adquiridos para uso comercial o industrial.
4. El costo del servicio o visita a domicilio para:
  - a. Corregir errores de instalación.
  - b. Instruir al usuario en la forma apropiada de usar el producto.
  - c. Transportar la unidad al agente de servicio.
5. Daños emergentes o incidentales causados por alguna persona como resultado de alguna infracción a estas garantías.

Algunos estados no permiten la exclusión o la limitación de los daños emergentes o incidentales, de modo que la exclusión anterior puede no aplicarse.

Las Guías del usuario, manuales de servicio y información de piezas están disponibles con: Maytag Appliances Sales Company, Ayuda al Cliente de Maytag.

**MAYTAG • One Dependability Square • Newton, Iowa 50208**